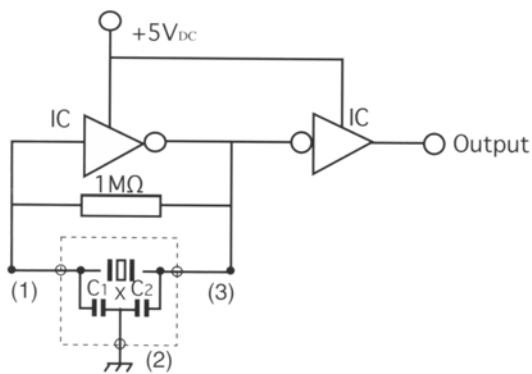


## CERAMIC RESONATORS

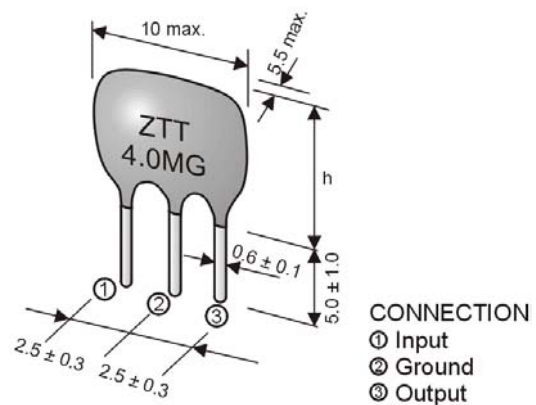
**Built-in capacitor types**

**KX-ZTT series**

model	KX-ZTT MG
frequency range	1,80 ~ 5,0 MHz
internal capacitance C <sub>1</sub> , C <sub>2</sub>	30 pF
frequency tolerance at +25°C	± 0,5%
frequency stability at -20° ~ +80°C	± 0,3%
aging for 10 years	± 0,3%
resonate resistance max.	100 ohm
test circuit IC	1/6 CD 4069 UBEX2
height (h) max.	8,0 mm
packing unit	500 pcs.
order no.	12.99500 ~ 12.99900



test circuit



test circuit