

74LVC14A

Hex inverting Schmitt trigger with 5 V tolerant input

Rev. 04 — 15 February 2005

Product data sheet

1. General description

The 74LVC14A is a high-performance, low-power, low-voltage, Si-gate CMOS device and superior to most advanced CMOS compatible TTL families.

Inputs can be driven from either 3.3 V or 5 V devices. This feature allows the use of this device as a translator in a mixed 3.3 V and 5 V environment.

The 74LVC14A provides six inverting buffers with Schmitt-trigger action. It is capable of transforming slowly changing input signals into sharply defined, jitter-free output signals.

2. Features

- Wide supply voltage range from 1.2 V to 3.6 V
- 5 V tolerant input for interfacing with 5 V logic
- CMOS low-power consumption
- Direct interface with TTL levels
- Inputs accept voltages up to 5.5 V
- Unlimited input rise and fall times
- Complies with JEDEC standard:
 - ◆ JESD8-B/JESD36 (2.7 V to 3.6 V)
- ESD protection:
 - ◆ HBM EIA/JESD22-A114-B exceeds 2000 V
 - ◆ MM EIA/JESD22-A115-A exceeds 200 V
- Multiple package options
- Specified from $-40\text{ }^{\circ}\text{C}$ to $+85\text{ }^{\circ}\text{C}$ and from $-40\text{ }^{\circ}\text{C}$ to $+125\text{ }^{\circ}\text{C}$

3. Applications

- Wave and pulse shapers for highly noisy environments
- Astable multivibrators
- Monostable multivibrators

PHILIPS

4. Quick reference data

Table 1: Quick reference data

Symbol	Parameter	Conditions	Min	Typ	Max	Unit
t_{PHL} , t_{PLH}	propagation delay nA to nY	$V_{CC} = 3.3 \text{ V}$; $C_L = 50 \text{ pF}$	-	3.2	-	ns
C_I	input capacitance		-	4.0	-	pF
C_{PD}	power dissipation capacitance	$V_{CC} = 3.3 \text{ V}$	[1] [2]	10	-	pF

[1] C_{PD} is used to determine the dynamic power dissipation (P_D in μW).

$$P_D = C_{PD} \times V_{CC}^2 \times f_i \times N + \Sigma(C_L \times V_{CC}^2 \times f_o) \text{ where:}$$

f_i = input frequency in MHz;

f_o = output frequency in MHz;

C_L = output load capacitance in pF;

V_{CC} = supply voltage in V;

N = number of inputs switching;

$\Sigma(C_L \times V_{CC}^2 \times f_o)$ = sum of the outputs.

[2] The condition is $V_I = \text{GND to } V_{CC}$.

5. Ordering information

Table 2: Ordering information

Type number	Package			Version
	Temperature range	Name	Description	
74LVC14AD	-40 °C to +125 °C	SO14	plastic small outline package; 14 leads; body width 3.9 mm	SOT108-1
74LVC14ADB	-40 °C to +125 °C	SSOP14	plastic thin shrink small outline package; 14 leads; body width 5.3 mm	SOT337-1
74LVC14APW	-40 °C to +125 °C	TSSOP14	plastic thin shrink small outline package; 14 leads; body width 4.4 mm	SOT402-1
74LVC14ABQ	-40 °C to +125 °C	DHVQFN14	plastic dual in-line compatible thermal enhanced very thin quad flat package; no leads; 14 terminals; body 2.5 × 3 × 0.85 mm	SOT762-1

6. Functional diagram

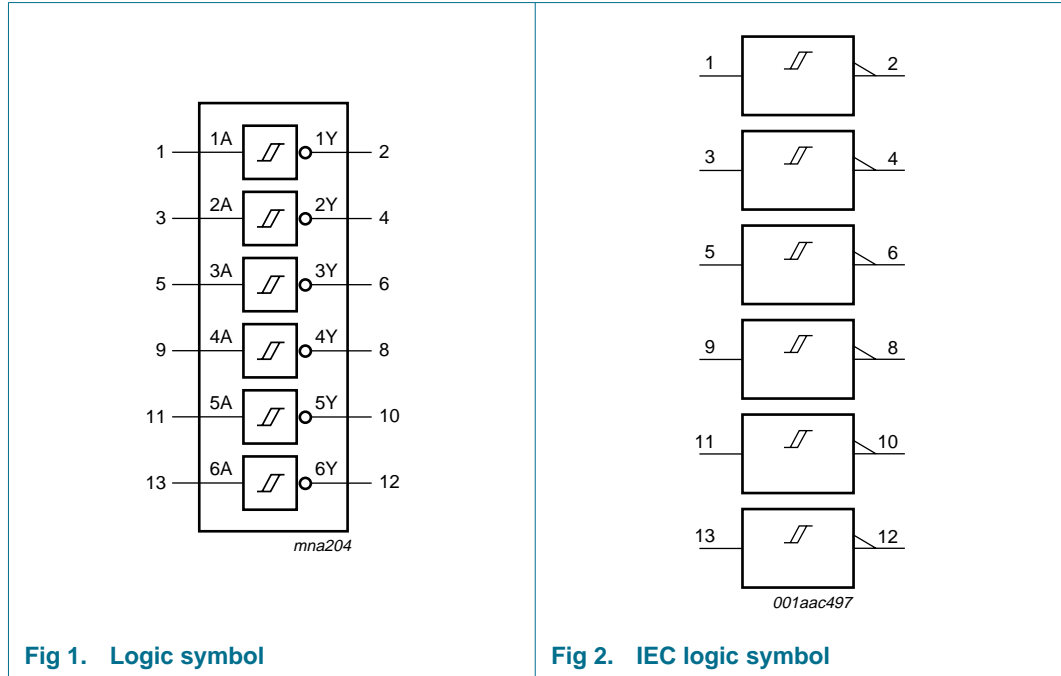


Fig 1. Logic symbol

Fig 2. IEC logic symbol

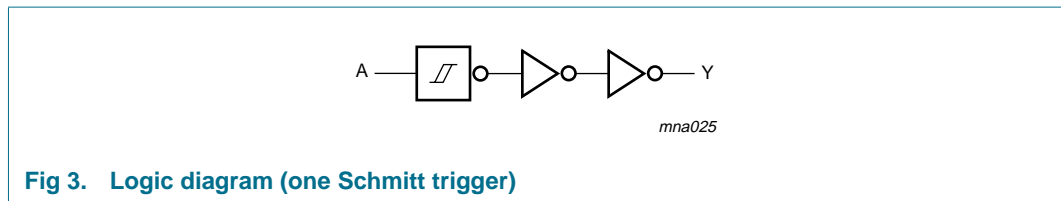
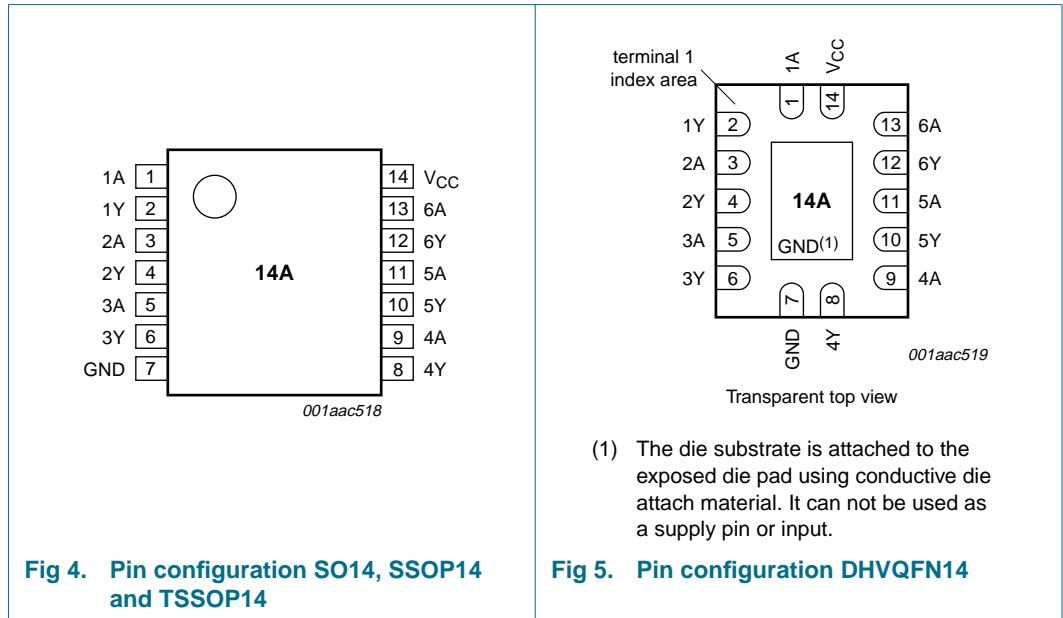


Fig 3. Logic diagram (one Schmitt trigger)

7. Pinning information

7.1 Pinning



7.2 Pin description

Table 3: Pin description

Symbol	Pin	Description
1A	1	1 data input A
1Y	2	1 data output Y
2A	3	2 data input A
2Y	4	2 data output Y
3A	5	3 data input A
3Y	6	3 data output Y
GND	7	ground (0 V)
4Y	8	4 data output Y
4A	9	4 data input A
5Y	10	5 data output Y
5A	11	5 data input A
6Y	12	6 data output Y
6A	13	6 data input A
V _{CC}	14	supply voltage

8. Functional description

8.1 Function table

Table 4: Function table ^[1]

Input nA	Output nY
L	H
H	L

[1] H = HIGH voltage level;
L = LOW voltage level.

9. Limiting values

Table 5: Limiting values

In accordance with the Absolute Maximum Rating System (IEC 60134). Voltages are referenced to GND (ground = 0 V).

Symbol	Parameter	Conditions	Min	Max	Unit
V_{CC}	supply voltage		-0.5	+6.5	V
V_I	input voltage		^[1] -0.5	+6.5	V
V_O	output voltage		^[1] -0.5	$V_{CC} + 0.5$	V
I_{IK}	input diode current	$V_I < 0$ V	-	-50	mA
I_{OK}	output diode current	$V_O > V_{CC}$ or $V_O < 0$ V	-	± 50	mA
I_O	output source or sink current	$V_O = 0$ V to V_{CC}	-	± 50	mA
I_{CC}, I_{GND}	V_{CC} or GND current		-	± 100	mA
T_{stg}	storage temperature		-65	+150	°C
P_{tot}	total power dissipation	$T_{amb} = -40$ °C to +125 °C	^[3] -	500	mW

[1] The input and output voltage ratings may be exceeded if the input and output current ratings are observed.

[2] When $V_{CC} = 0$ V (Power-down mode), the output voltage can be 3.6 V in normal operation.

[3] For SO14 packages: P_{tot} derates linearly with 8 mW/K above 70 °C.

For (T)SSOP14 packages: P_{tot} derates linearly with 5.5 mW/K above 60 °C.

For DHVQFN14 packages: P_{tot} derates linearly with 4.5 mW/K above 60 °C.

10. Recommended operating conditions

Table 6: Recommended operating conditions

Symbol	Parameter	Conditions	Min	Typ	Max	Unit
V_{CC}	supply voltage	for maximum speed performance	2.7	-	3.6	V
		for low-voltage applications	1.2	-	3.6	V
V_I	input voltage		0	-	5.5	V
V_O	output voltage		0	-	V_{CC}	V
T_{amb}	ambient temperature		-40	-	+125	°C

11. Static characteristics

Table 7: Static characteristics

At recommended operating conditions; voltages are referenced to GND (ground = 0 V).

Symbol	Parameter	Conditions	Min	Typ	Max	Unit
$T_{amb} = -40\text{ °C to }+85\text{ °C}$ [1]						
V_{OH}	HIGH-level output voltage	$V_I = V_{IH}$ or V_{IL}				
		$I_O = -100\text{ }\mu\text{A}$; $V_{CC} = 2.7\text{ V to }3.6\text{ V}$	$V_{CC} - 0.2$	-	-	V
		$I_O = -8\text{ mA}$; $V_{CC} = 2.3\text{ V to }2.7\text{ V}$	$V_{CC} - 0.5$	-	-	V
		$I_O = -12\text{ mA}$; $V_{CC} = 2.7\text{ V}$	$V_{CC} - 0.5$	-	-	V
		$I_O = -18\text{ mA}$; $V_{CC} = 3.0\text{ V}$	$V_{CC} - 0.6$	-	-	V
V_{OL}	LOW-level voltage output	$V_I = V_{IH}$ or V_{IL}				
		$I_O = 100\text{ }\mu\text{A}$; $V_{CC} = 2.7\text{ V to }3.6\text{ V}$	-	-	0.2	V
		$I_O = 8\text{ mA}$; $V_{CC} = 2.3\text{ V to }2.7\text{ V}$	-	-	0.6	V
		$I_O = 12\text{ mA}$; $V_{CC} = 2.7\text{ V}$	-	-	0.4	V
		$I_O = 24\text{ mA}$; $V_{CC} = 3.0\text{ V}$	-	-	0.55	V
I_{LI}	input leakage current	$V_{CC} = 3.6\text{ V}$; $V_I = 5.5\text{ V or GND}$	-	± 0.1	± 5	μA
I_{CC}	quiescent supply current	$V_{CC} = 3.6\text{ V}$; $V_I = V_{CC}$ or GND; $I_O = 0\text{ A}$	-	0.1	10	μA
ΔI_{CC}	additional quiescent supply current per input pin	$V_{CC} = 2.7\text{ V to }3.6\text{ V}$; $V_I = V_{CC} - 0.6\text{ V}$; $I_O = 0\text{ A}$	-	5	500	μA
C_I	input capacitance		-	4.0	-	pF
$T_{amb} = -40\text{ °C to }+125\text{ °C}$						
V_{OH}	HIGH-level output voltage	$V_I = V_{IH}$ or V_{IL}				
		$I_O = -100\text{ }\mu\text{A}$; $V_{CC} = 2.7\text{ V to }3.6\text{ V}$	$V_{CC} - 0.3$	-	-	V
		$I_O = -8\text{ mA}$; $V_{CC} = 2.3\text{ V to }2.7\text{ V}$	$V_{CC} - 0.65$	-	-	V
		$I_O = -12\text{ mA}$; $V_{CC} = 2.7\text{ V}$	$V_{CC} - 0.65$	-	-	V
		$I_O = -18\text{ mA}$; $V_{CC} = 3.0\text{ V}$	$V_{CC} - 0.75$	-	-	V
		$I_O = -24\text{ mA}$; $V_{CC} = 3.0\text{ V}$	$V_{CC} - 1$	-	-	V

Table 7: Static characteristics ...continued

At recommended operating conditions; voltages are referenced to GND (ground = 0 V).

Symbol	Parameter	Conditions	Min	Typ	Max	Unit
V _{OL}	LOW-level voltage output	V _I = V _{IH} or V _{IL}				
		I _O = 100 μA; V _{CC} = 2.7 V to 3.6 V	-	-	0.3	V
		I _O = 8 mA; V _{CC} = 2.3 V to 2.7 V	-	-	0.75	V
		I _O = 12 mA; V _{CC} = 2.7 V	-	-	0.6	V
		I _O = 24 mA; V _{CC} = 3.0 V	-	-	0.8	V
I _{LI}	input leakage current	V _{CC} = 3.6 V; V _I = 5.5 V or GND	-	-	±20	μA
I _{CC}	quiescent supply current	V _{CC} = 3.6 V; V _I = V _{CC} or GND; I _O = 0 A	-	-	40	μA
ΔI _{CC}	additional quiescent supply current per input pin	V _{CC} = 2.7 V to 3.6 V; V _I = V _{CC} - 0.6 V; I _O = 0 A	-	-	5	mA

[1] All typical values are measured at T_{amb} = 25 °C.

12. Dynamic characteristics

Table 8: Dynamic characteristicsVoltages are referenced to GND (ground = 0 V); for test circuit see [Figure 7](#).

Symbol	Parameter	Conditions	Min	Typ	Max	Unit
T_{amb} = -40 °C to +85 °C [1]						
t _{PHL} , t _{PLH}	propagation delay nA to nY	see Figure 6				
		V _{CC} = 1.2 V	-	16	-	ns
		V _{CC} = 2.3 V to 2.7 V	1.5	4.0	7.8	ns
		V _{CC} = 2.7 V	1.5	3.6	7.5	ns
		V _{CC} = 3.0 V to 3.6 V	1.0	3.2	6.4	ns
t _{sk(0)}	skew		[2]	-	1.0	ns
C _{PD}	power dissipation capacitance	V _{CC} = 3.3 V	[3] [4]	10	-	pF
T_{amb} = -40 °C to +125 °C						
t _{PHL} , t _{PLH}	propagation delay nA to nY	see Figure 6				
		V _{CC} = 1.2 V	-	-	-	ns
		V _{CC} = 2.3 V to 2.7 V	1.5	-	10.0	ns
		V _{CC} = 2.7 V	1.5	-	9.5	ns
		V _{CC} = 3.0 V to 3.6 V	1.0	-	8.0	ns
t _{sk(0)}	skew		[2]	-	1.5	ns

[1] All typical values are measured at nominal V_{CC} and T_{amb} = 25 °C.

[2] Skew between any two outputs of the same package switching in the same direction. This parameter is guaranteed by design.

[3] C_{PD} is used to determine the dynamic power dissipation (P_D in μW).P_D = C_{PD} × V_{CC}² × f_i × N + Σ(C_L × V_{CC}² × f_o) where:f_i = input frequency in MHz;f_o = output frequency in MHz;C_L = output load capacitance in pF;V_{CC} = supply voltage in V;

N = number of inputs switching;

Σ(C_L × V_{CC}² × f_o) = sum of the outputs.[4] The condition is V_I = GND to V_{CC}.

13. Waveforms

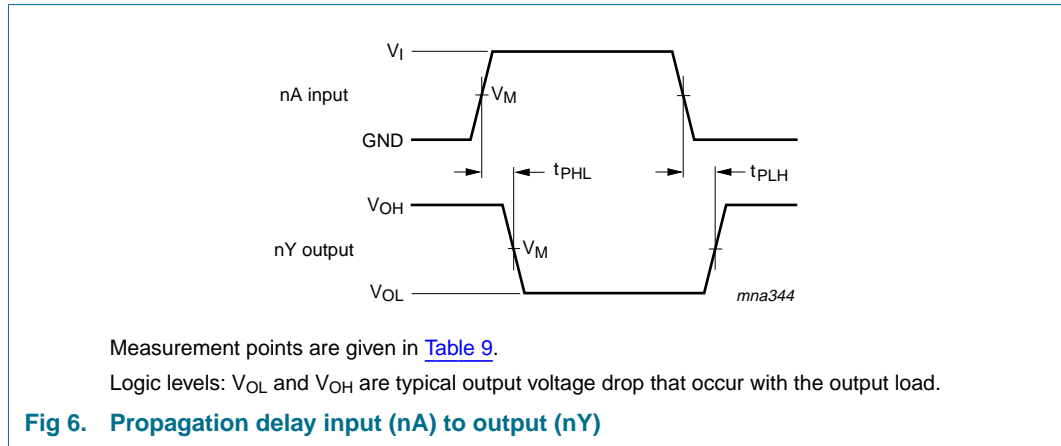


Table 9: Measurement points

Supply	Input	Output
V_{CC}	V_M	V_M
1.2 V	$0.5 \times V_{CC}$	$0.5 \times V_{CC}$
2.3 V to 2.7 V	$0.5 \times V_{CC}$	$0.5 \times V_{CC}$
2.7 V	1.5 V	1.5 V
3.0 V to 3.6 V	1.5 V	1.5 V

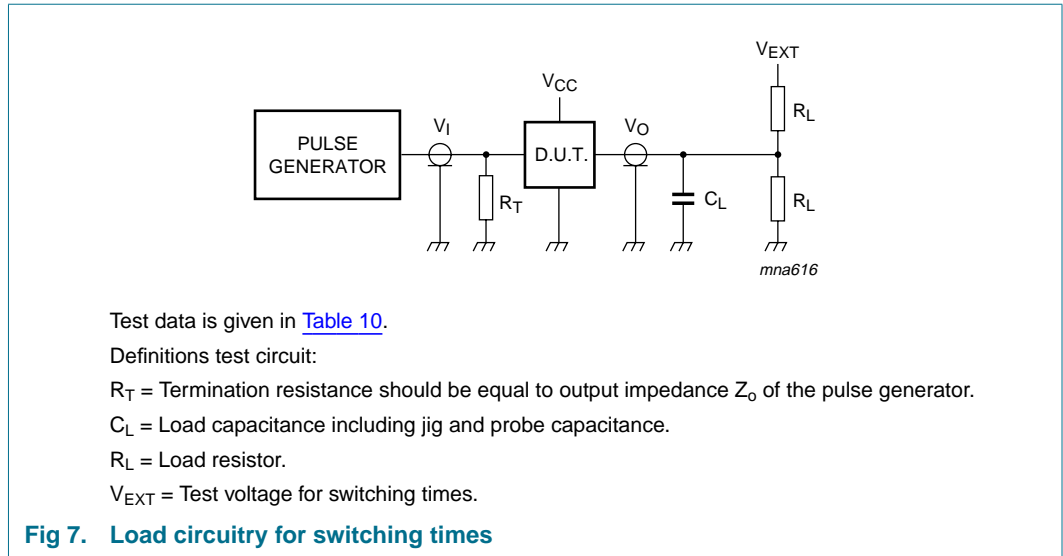


Table 10: Test data

Supply	Input		Load		V_{EXT}
V_{CC}	V_I	t_r, t_f	C_L	R_L	t_{PLH}, t_{PHL}
1.2 V	V_{CC}	≤ 2.5 ns	30 pF	500 Ω	open
2.3 V to 2.7 V	V_{CC}	≤ 2.5 ns	30 pF	500 Ω	open
2.7 V	2.7 V	≤ 2.5 ns	50 pF	500 Ω	open
3.0 V to 3.6 V	2.7 V	≤ 2.5 ns	50 pF	500 Ω	open

14. Transfer characteristics

Table 11: Transfer characteristics

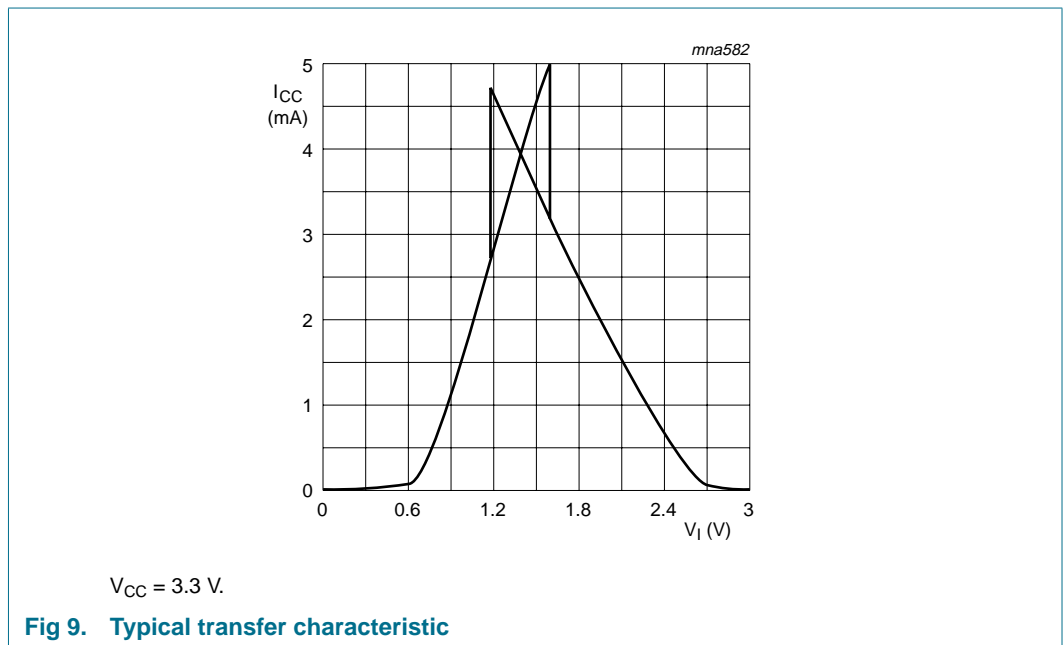
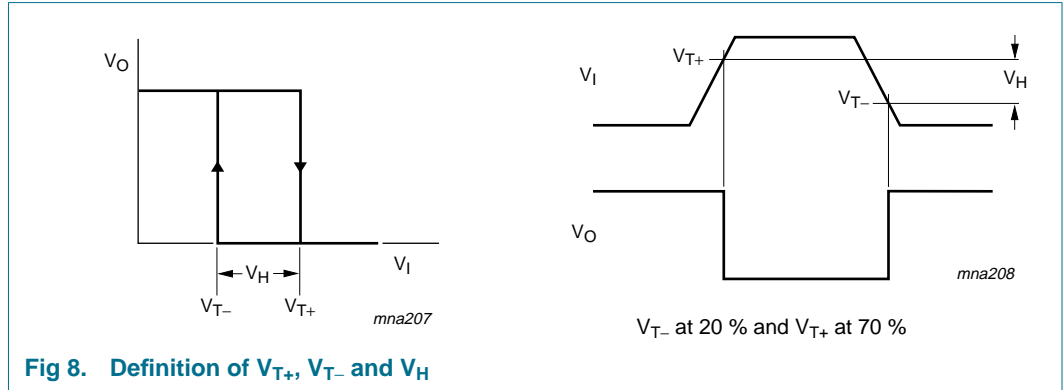
The V_{IH} and V_{IL} from the family static characteristics are superseded by the V_{T+} and V_{T-} . Voltages are referenced to GND (ground = 0 V); see [Figure 8](#).

Symbol	Parameter	Conditions	Min	Typ	Max	Unit
$T_{amb} = -40\text{ °C to }+85\text{ °C}$ [1]						
V_{T+}	positive-going threshold	$V_{CC} = 1.2\text{ V}$	-	-	1.2	V
		$V_{CC} = 2.5\text{ V}$	0.9	-	1.7	V
		$V_{CC} = 2.7\text{ V}$	1.1	-	2.0	V
		$V_{CC} = 2.7\text{ V to }3.6\text{ V}$	1.1	-	2.0	V
V_{T-}	negative-going threshold	$V_{CC} = 1.2\text{ V}$	0	-	-	V
		$V_{CC} = 2.5\text{ V}$	0.4	-	1.2	V
		$V_{CC} = 2.7\text{ V}$	0.8	-	1.5	V
		$V_{CC} = 2.7\text{ V to }3.6\text{ V}$	0.8	-	1.5	V
V_H	hysteresis ($V_{T+} - V_{T-}$)	$V_{CC} = 1.2\text{ V}$	-	-	-	V
		$V_{CC} = 2.5\text{ V}$	0.3	-	-	V
		$V_{CC} = 2.7\text{ V}$	0.3	0.4	-	V
		$V_{CC} = 2.7\text{ V to }3.6\text{ V}$ [2]	0.3	0.45	-	V
$T_{amb} = -40\text{ °C to }+125\text{ °C}$						
V_{T+}	positive-going threshold	$V_{CC} = 1.2\text{ V}$	-	-	1.2	V
		$V_{CC} = 2.5\text{ V}$	0.9	-	1.7	V
		$V_{CC} = 2.7\text{ V}$	1.1	-	2.0	V
		$V_{CC} = 2.7\text{ V to }3.6\text{ V}$	1.1	-	2.0	V
V_{T-}	negative-going threshold	$V_{CC} = 1.2\text{ V}$	0	-	-	V
		$V_{CC} = 2.5\text{ V}$	0.4	-	1.2	V
		$V_{CC} = 2.7\text{ V}$	0.8	-	1.5	V
		$V_{CC} = 2.7\text{ V to }3.6\text{ V}$	0.8	-	1.5	V
V_H	hysteresis ($V_{T+} - V_{T-}$)	$V_{CC} = 1.2\text{ V}$	-	-	-	V
		$V_{CC} = 2.5\text{ V}$	0.2	-	-	V
		$V_{CC} = 2.7\text{ V}$	0.3	-	-	V
		$V_{CC} = 2.7\text{ V to }3.6\text{ V}$	0.3	-	-	V

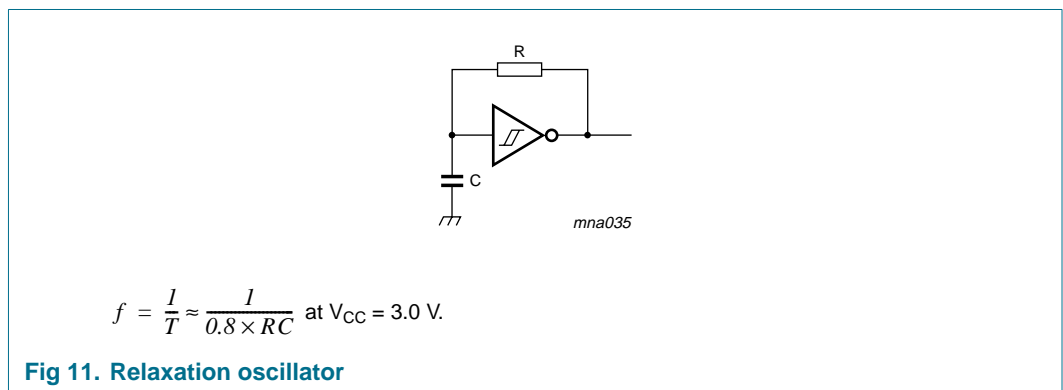
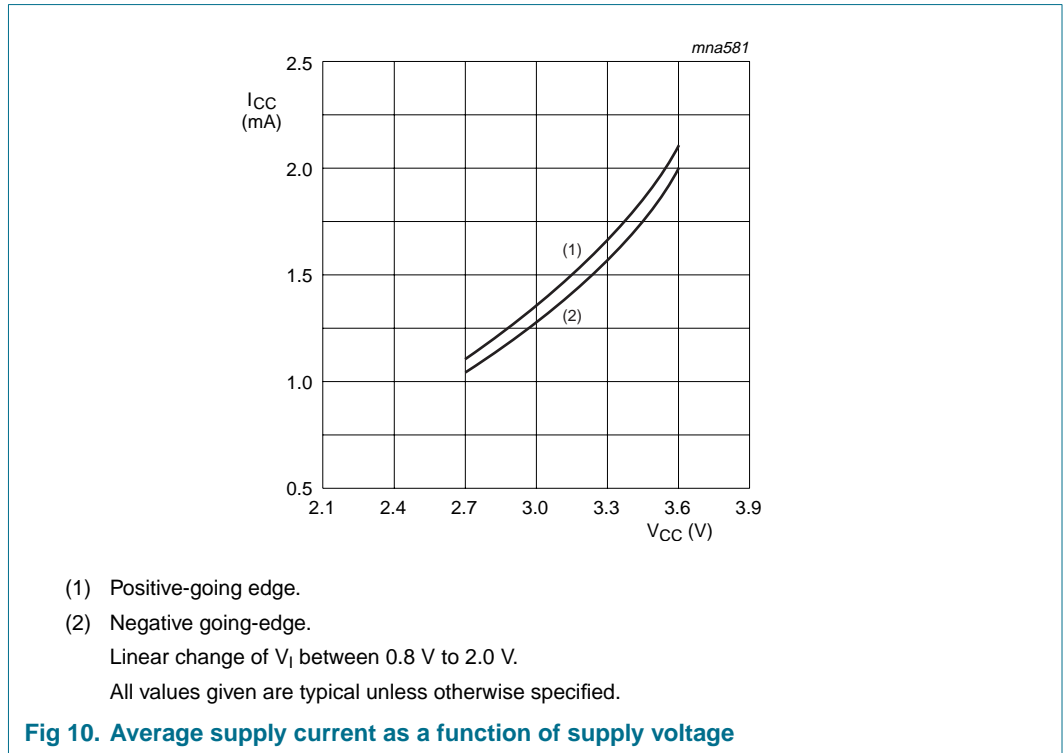
[1] All typical values are measured at nominal V_{CC} and $T_{amb} = 25\text{ °C}$.

[2] Typical transfer characteristic is displayed in [Figure 9](#).

15. Waveforms transfer characteristics



16. Application information



17. Package outline

SO14: plastic small outline package; 14 leads; body width 3.9 mm

SOT108-1



Fig 12. Package outline SOT108-1 (SO14)

SSOP14: plastic shrink small outline package; 14 leads; body width 5.3 mm

SOT337-1

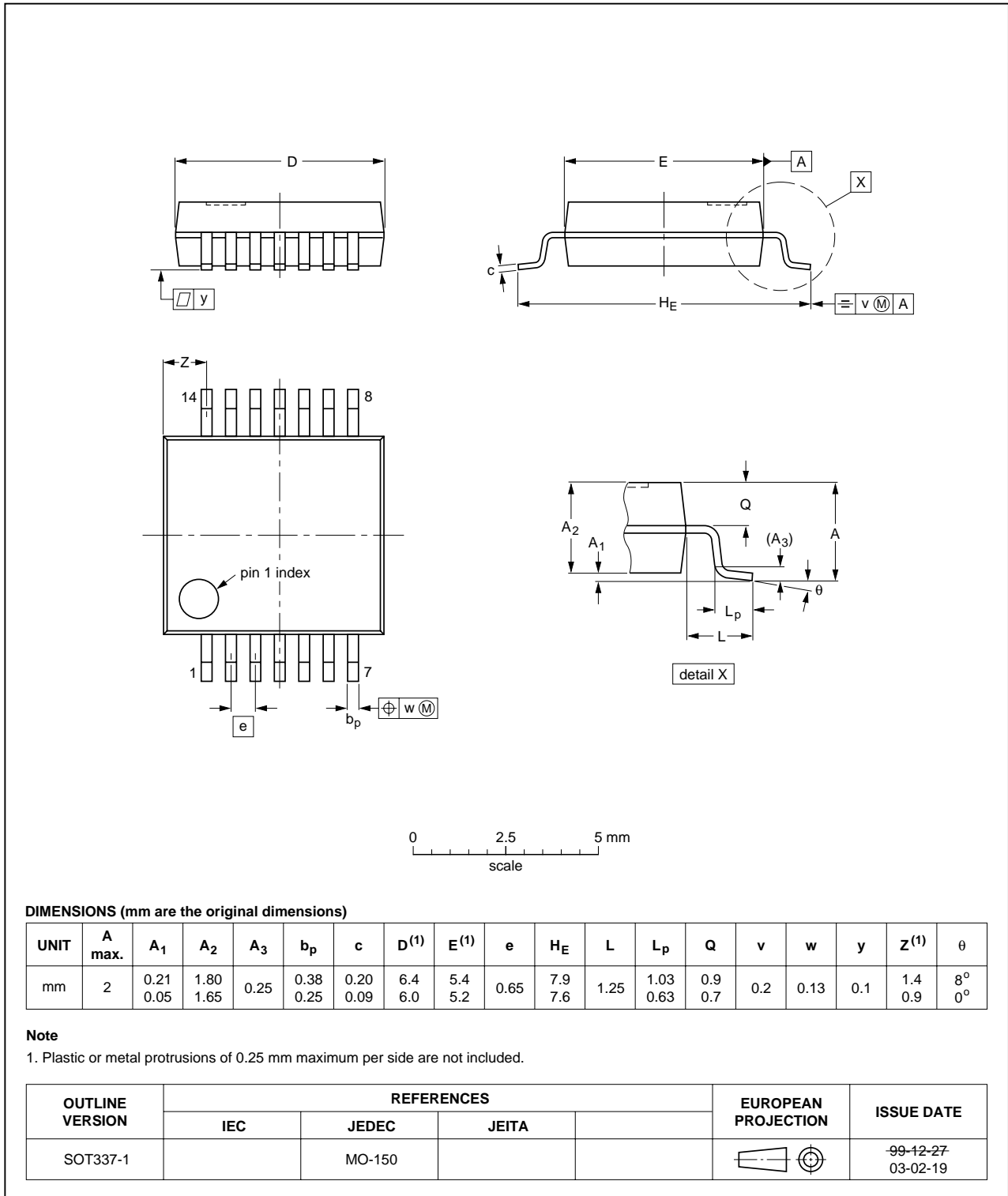


Fig 13. Package outline SOT337-1 (SSOP14)

TSSOP14: plastic thin shrink small outline package; 14 leads; body width 4.4 mm

SOT402-1

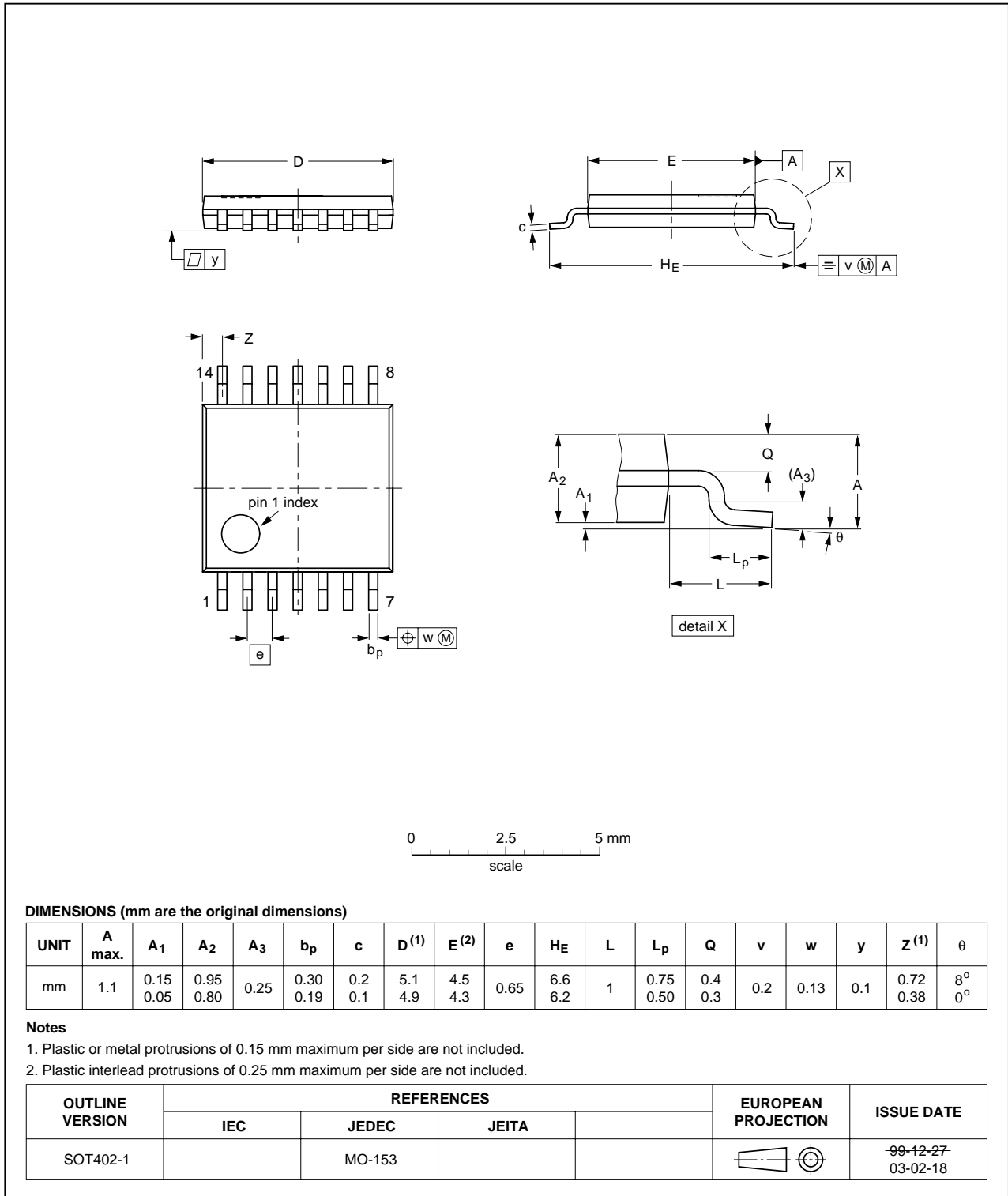


Fig 14. Package outline SOT402-1 (TSSOP14)

DHVQFN14: plastic dual in-line compatible thermal enhanced very thin quad flat package; no leads; 14 terminals; body 2.5 x 3 x 0.85 mm

SOT762-1

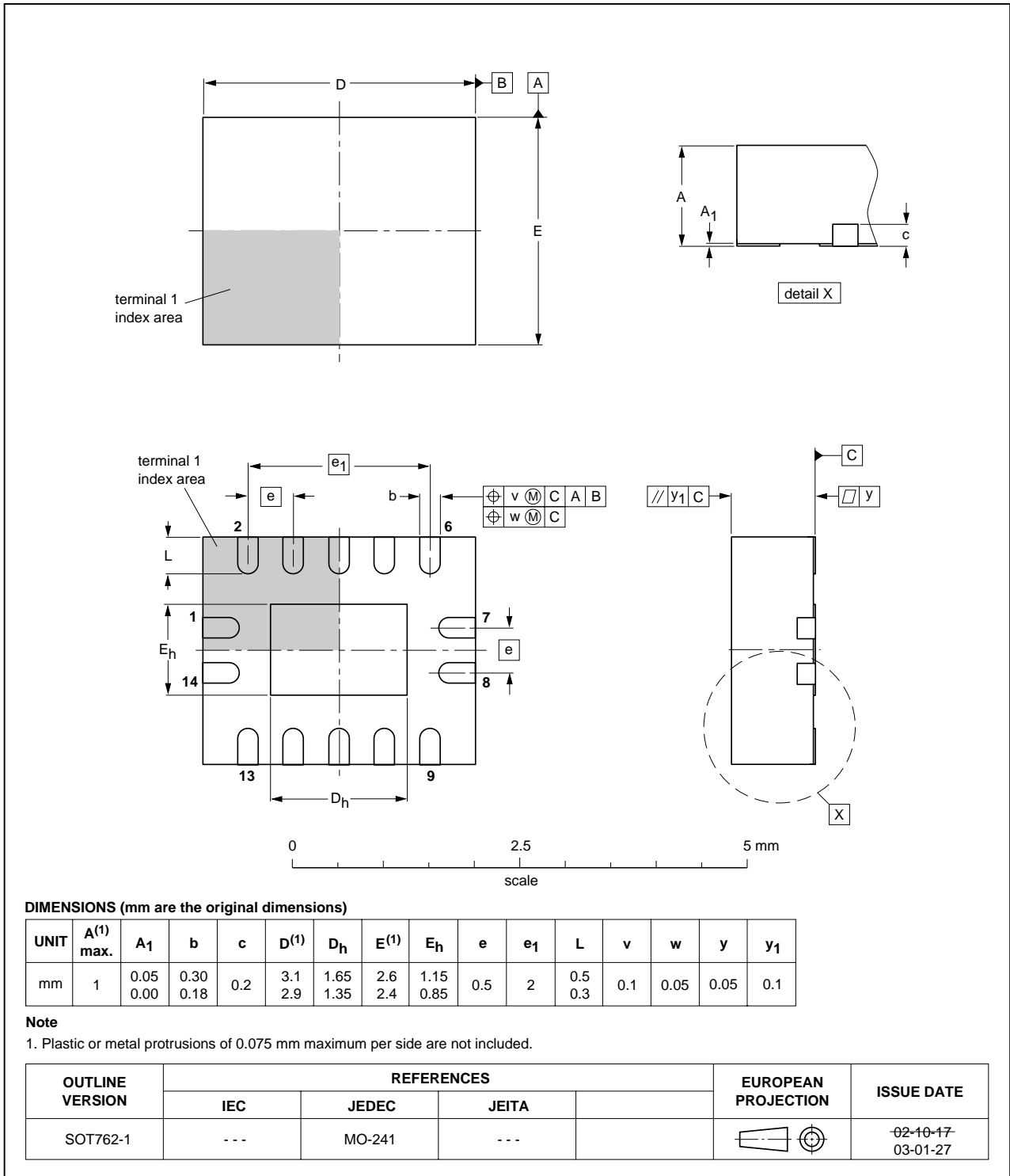


Fig 15. Package outline SOT762-1 (DHVQFN14)

18. Revision history

Table 12: Revision history

Document ID	Release date	Data sheet status	Change notice	Doc. number	Supersedes
74LVC14A_4	20050215	Product data sheet	-	9397 750 14591	74LVC14A_3
Modifications:					
			<ul style="list-style-type: none">• The format of this data sheet is redesigned to comply with the current presentation and information standard of Philips Semiconductors.• General text updates.		
74LVC14A_3	20030228	Product specification	-	9397 750 10536	74LVC14A_2
74LVC14A_2	20020315	Product specification	-	9397 750 09449	74LVC14A_1
74LVC14A_1	19980428	Product specification	-	9397 750 04484	-

19. Data sheet status

Level	Data sheet status ^[1]	Product status ^[2] ^[3]	Definition
I	Objective data	Development	This data sheet contains data from the objective specification for product development. Philips Semiconductors reserves the right to change the specification in any manner without notice.
II	Preliminary data	Qualification	This data sheet contains data from the preliminary specification. Supplementary data will be published at a later date. Philips Semiconductors reserves the right to change the specification without notice, in order to improve the design and supply the best possible product.
III	Product data	Production	This data sheet contains data from the product specification. Philips Semiconductors reserves the right to make changes at any time in order to improve the design, manufacturing and supply. Relevant changes will be communicated via a Customer Product/Process Change Notification (CPCN).

[1] Please consult the most recently issued data sheet before initiating or completing a design.

[2] The product status of the device(s) described in this data sheet may have changed since this data sheet was published. The latest information is available on the Internet at URL <http://www.semiconductors.philips.com>.

[3] For data sheets describing multiple type numbers, the highest-level product status determines the data sheet status.

20. Definitions

Short-form specification — The data in a short-form specification is extracted from a full data sheet with the same type number and title. For detailed information see the relevant data sheet or data handbook.

Limiting values definition — Limiting values given are in accordance with the Absolute Maximum Rating System (IEC 60134). Stress above one or more of the limiting values may cause permanent damage to the device. These are stress ratings only and operation of the device at these or at any other conditions above those given in the Characteristics sections of the specification is not implied. Exposure to limiting values for extended periods may affect device reliability.

Application information — Applications that are described herein for any of these products are for illustrative purposes only. Philips Semiconductors make no representation or warranty that such applications will be suitable for the specified use without further testing or modification.

21. Disclaimers

Life support — These products are not designed for use in life support appliances, devices, or systems where malfunction of these products can reasonably be expected to result in personal injury. Philips Semiconductors customers using or selling these products for use in such applications do so at their own risk and agree to fully indemnify Philips Semiconductors for any damages resulting from such application.

Right to make changes — Philips Semiconductors reserves the right to make changes in the products - including circuits, standard cells, and/or software - described or contained herein in order to improve design and/or performance. When the product is in full production (status 'Production'), relevant changes will be communicated via a Customer Product/Process Change Notification (CPCN). Philips Semiconductors assumes no responsibility or liability for the use of any of these products, conveys no license or title under any patent, copyright, or mask work right to these products, and makes no representations or warranties that these products are free from patent, copyright, or mask work right infringement, unless otherwise specified.

22. Contact information

For additional information, please visit: <http://www.semiconductors.philips.com>

For sales office addresses, send an email to: sales.addresses@www.semiconductors.philips.com

23. Contents

1	General description	1
2	Features	1
3	Applications	1
4	Quick reference data	2
5	Ordering information	2
6	Functional diagram	3
7	Pinning information	4
7.1	Pinning	4
7.2	Pin description	4
8	Functional description	5
8.1	Function table	5
9	Limiting values	5
10	Recommended operating conditions	6
11	Static characteristics	6
12	Dynamic characteristics	7
13	Waveforms	8
14	Transfer characteristics	10
15	Waveforms transfer characteristics	11
16	Application information	12
17	Package outline	13
18	Revision history	17
19	Data sheet status	18
20	Definitions	18
21	Disclaimers	18
22	Contact information	18



© Koninklijke Philips Electronics N.V. 2005

All rights are reserved. Reproduction in whole or in part is prohibited without the prior written consent of the copyright owner. The information presented in this document does not form part of any quotation or contract, is believed to be accurate and reliable and may be changed without notice. No liability will be accepted by the publisher for any consequence of its use. Publication thereof does not convey nor imply any license under patent- or other industrial or intellectual property rights.

Date of release: 15 February 2005
Document number: 9397 750 14591

Published in The Netherlands