

# HEF4027B

## Dual JK flip-flop

Rev. 04 — 3 July 2008

Product data sheet

## 1. General description

The HEF4027B is a edge-triggered dual JK flip-flop which features independent set-direct (SD), clear-direct (CD), clock (CP) inputs and outputs (Q,  $\bar{Q}$ ). Data is accepted when CP is LOW, and transferred to the output on the positive-going edge of the clock. The active HIGH asynchronous clear-direct (CD) and set-direct (SD) inputs are independent and override the J, K, and CP inputs. The outputs are buffered for best system performance. Schmitt trigger action makes the clock input highly tolerant of slower rise and fall times.

It operates over a recommended  $V_{DD}$  power supply range of 3 V to 15 V referenced to  $V_{SS}$  (usually ground). Unused inputs must be connected to  $V_{DD}$ ,  $V_{SS}$ , or another input. The HEF4027B is suitable for use over both the industrial ( $-40\text{ }^{\circ}\text{C}$  to  $+85\text{ }^{\circ}\text{C}$ ) and automotive ( $-40\text{ }^{\circ}\text{C}$  to  $+125\text{ }^{\circ}\text{C}$ ) temperature ranges.

## 2. Features

- Fully static operation
- 5 V, 10 V, and 15 V parametric ratings
- Standardized symmetrical output characteristics
- Operates across the automotive temperature range  $-40\text{ }^{\circ}\text{C}$  to  $+125\text{ }^{\circ}\text{C}$
- Complies with JEDEC standard JESD 13-B
- ESD protection:
  - ◆ HBM JESD22-A114E exceeds 2000 V
  - ◆ MM JESD22-A115-A exceeds 200 V

## 3. Applications

- Registers
- Counters
- Control circuits

## 4. Ordering information

Table 1. Ordering information

$T_{amb}$  from  $-40\text{ }^{\circ}\text{C}$  to  $+125\text{ }^{\circ}\text{C}$ .

Type number	Package		Version
	Name	Description	
HEF4027BP	DIP16	plastic dual in-line package; 16-leads (300 mil)	SOT38-4
HEF4027BT	SO16	plastic small outline package; 16 leads; body width 3.9 mm	SOT109-1

5. Functional diagram

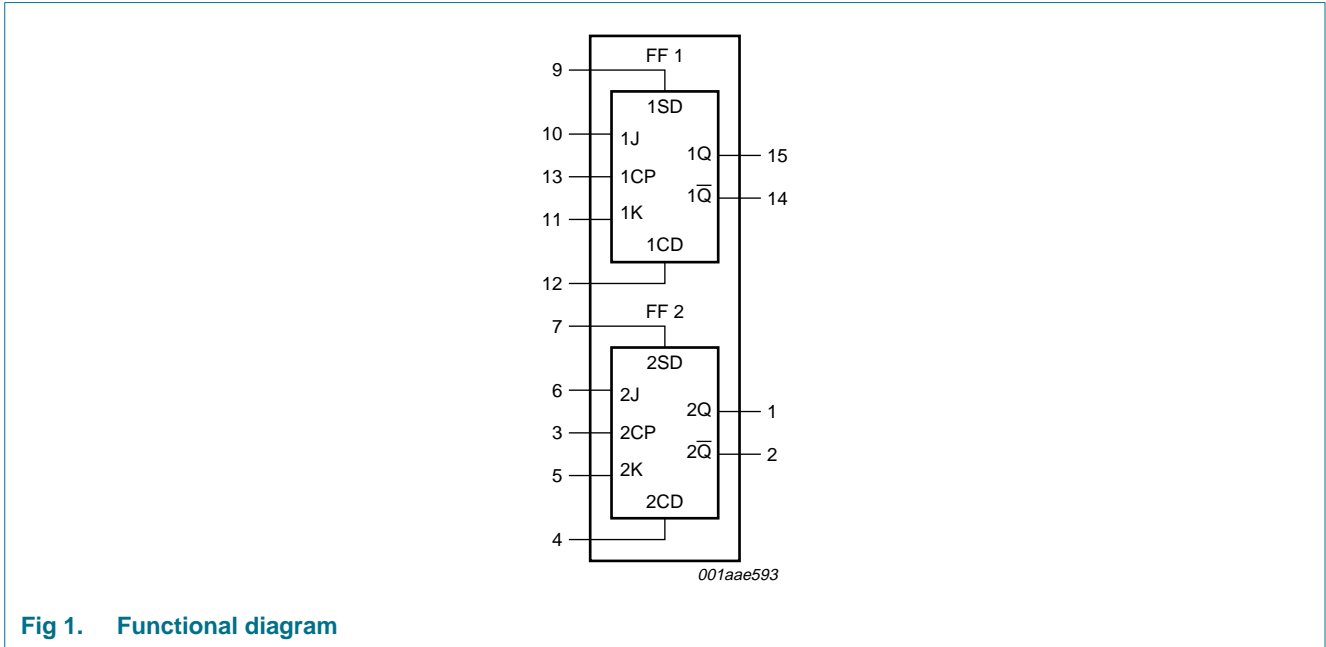


Fig 1. Functional diagram

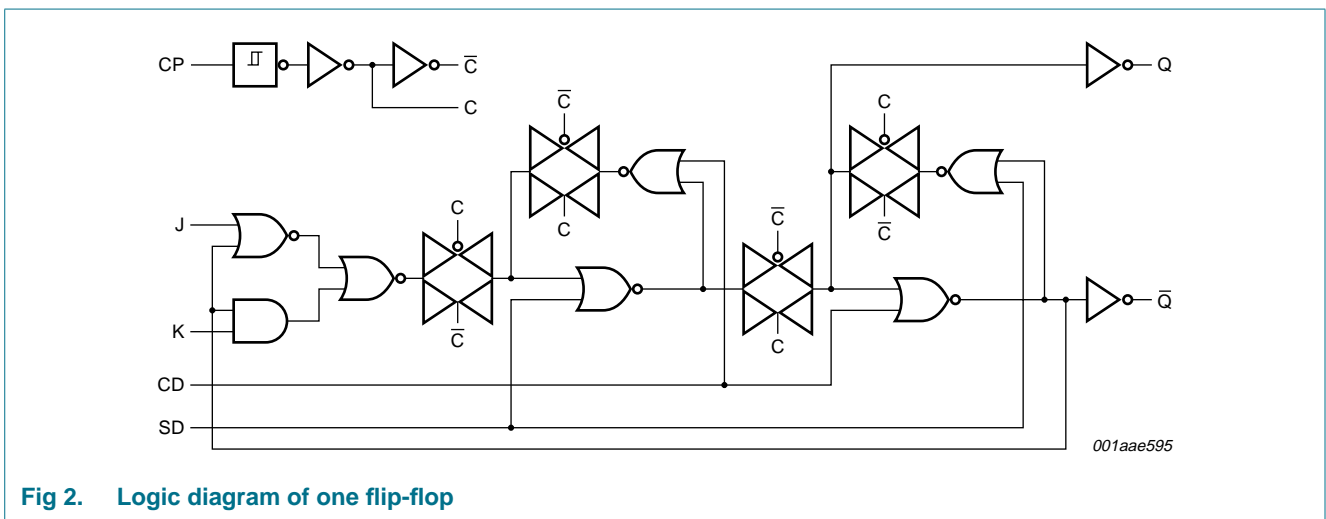


Fig 2. Logic diagram of one flip-flop

## 6. Pinning information

### 6.1 Pinning

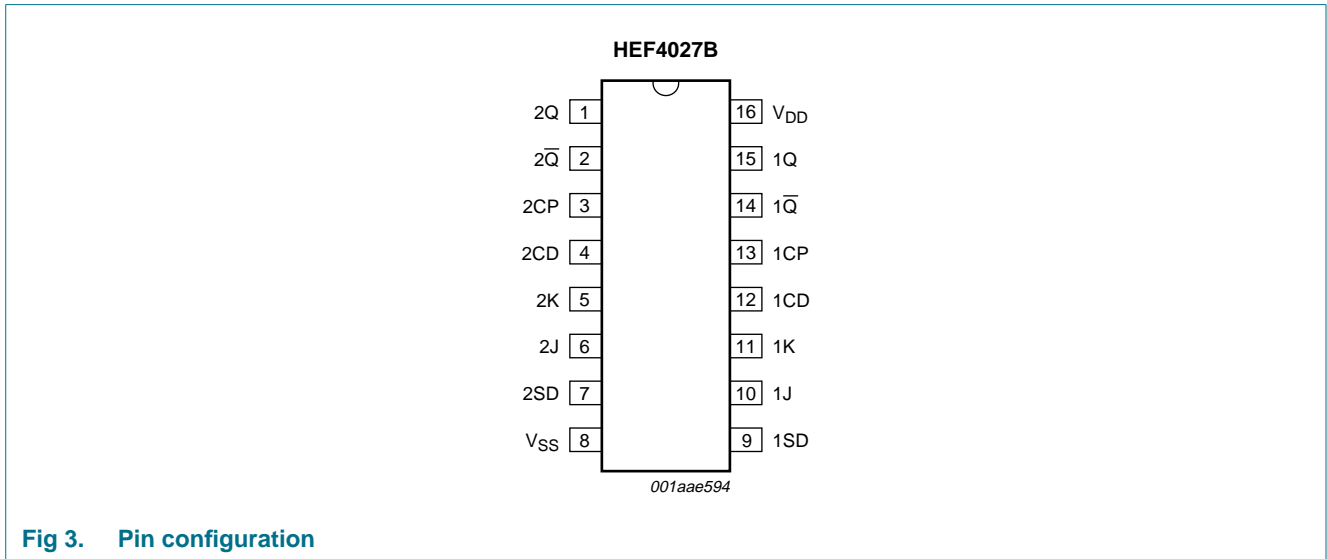


Fig 3. Pin configuration

### 6.2 Pin description

Table 2. Pin description

Symbol	Pin	Description
V <sub>SS</sub>	8	ground supply voltage
1SD, 2SD	9, 7	asynchronous set-direct input (active HIGH)
1J, 2J	10, 6	synchronous input
1K, 2K	11, 5	synchronous input
1CD, 2CD	12, 4	asynchronous clear-direct input (active HIGH)
1CP, 2CP	13, 3	clock input (LOW-to-HIGH edge-triggered)
1Q-bar, 2Q-bar	14, 2	complement output
1Q, 2Q	15, 1	true output
V <sub>DD</sub>	16	supply voltage

## 7. Functional description

Table 3. Function table<sup>[1]</sup>

Inputs					Outputs	
nSD	nCD	nCP	nJ	nK	nQ	nQ-bar
H	L	X	X	X	H	L
L	H	X	X	X	L	H
H	H	X	X	X	H	H

Table 3. Function table<sup>[1]</sup> ...continued

Inputs					Outputs	
nSD	nCD	nCP	nJ	nK	nQ	nQ̄
L	L	↑	L	L	no change	no change
L	L	↑	H	L	H	L
L	L	↑	L	H	L	H
L	L	↑	H	H	nQ̄	nQ

[1] H = HIGH voltage level; L = LOW voltage level; X = don't care.; ↑ = positive-going transition.

## 8. Limiting values

Table 4. Limiting values

In accordance with the Absolute Maximum Rating System (IEC 60134).

Symbol	Parameter	Conditions	Min	Max	Unit
V <sub>DD</sub>	supply voltage		-0.5	+18	V
I <sub>IK</sub>	input clamping current	V <sub>I</sub> < 0.5 V or V <sub>I</sub> > V <sub>DD</sub> + 0.5 V	-	±10	mA
V <sub>I</sub>	input voltage		-0.5	V <sub>DD</sub> + 0.5	V
I <sub>OK</sub>	output clamping current	V <sub>O</sub> < 0.5 V or V <sub>O</sub> > V <sub>DD</sub> + 0.5 V	-	±10	mA
I <sub>I/O</sub>	input/output current		-	±10	mA
I <sub>DD</sub>	supply current		-	50	mA
T <sub>stg</sub>	storage temperature		-65	+150	°C
T <sub>amb</sub>	ambient temperature	in free air	-40	+125	°C
P <sub>tot</sub>	total power dissipation	DIP16 package	[1] -	750	mW
		SO16 package	[2] -	500	mW
P	power dissipation	per output	-	100	mW

[1] For DIP16 package: P<sub>tot</sub> derates linearly with 12 mW/K above 70 °C.

[2] For SO16 package: P<sub>tot</sub> derates linearly with 8 mW/K above 70 °C.

## 9. Recommended operating conditions

Table 5. Recommended operating conditions

Symbol	Parameter	Conditions	Min	Max	Unit
V <sub>DD</sub>	supply voltage		3	15	V
V <sub>I</sub>	input voltage		0	V <sub>DD</sub>	V
T <sub>amb</sub>	ambient temperature	in free air	-40	+125	°C
Δt/ΔV	input transition rise and fall rate	V <sub>DD</sub> = 5 V	-	3.75	ns/V
		V <sub>DD</sub> = 10 V	-	0.5	ns/V
		V <sub>DD</sub> = 15 V	-	0.08	ns/V

## 10. Static characteristics

**Table 6. Static characteristics**

$V_{SS} = 0\text{ V}$ ;  $V_I = V_{SS}$  or  $V_{DD}$ ; unless otherwise specified.

Symbol	Parameter	Conditions	$V_{DD}$	$T_{amb} = -40\text{ °C}$		$T_{amb} = 25\text{ °C}$		$T_{amb} = 85\text{ °C}$		$T_{amb} = 125\text{ °C}$		Unit
				Min	Max	Min	Max	Min	Max	Min	Max	
$V_{IH}$	HIGH-level input voltage	$ I_O  < 1\text{ }\mu\text{A}$	5 V	3.5	-	3.5	-	3.5	-	3.5	-	V
			10 V	7.0	-	7.0	-	7.0	-	7.0	-	V
			15 V	11.0	-	11.0	-	11.0	-	11.0	-	V
$V_{IL}$	LOW-level input voltage	$ I_O  < 1\text{ }\mu\text{A}$	5 V	-	1.5	-	1.5	-	1.5	-	1.5	V
			10 V	-	3.0	-	3.0	-	3.0	-	3.0	V
			15 V	-	4.0	-	4.0	-	4.0	-	4.0	V
$V_{OH}$	HIGH-level output voltage	$ I_O  < 1\text{ }\mu\text{A}$	5 V	4.95	-	4.95	-	4.95	-	4.95	-	V
			10 V	9.95	-	9.95	-	9.95	-	9.95	-	V
			15 V	14.95	-	14.95	-	14.95	-	14.95	-	V
$V_{OL}$	LOW-level output voltage	$ I_O  < 1\text{ }\mu\text{A}$	5 V	-	0.05	-	0.05	-	0.05	-	0.05	V
			10 V	-	0.05	-	0.05	-	0.05	-	0.05	V
			15 V	-	0.05	-	0.05	-	0.05	-	0.05	V
$I_{OH}$	HIGH-level output current	$V_O = 2.5\text{ V}$	5 V	-1.7	-	-1.4	-	-1.1	-	-1.1	-	mA
		$V_O = 4.6\text{ V}$	5 V	-6.4	-	-0.5	-	-0.36	-	-0.36	-	mA
		$V_O = 9.5\text{ V}$	10 V	-1.6	-	-1.3	-	-0.9	-	-0.9	-	mA
		$V_O = 13.5\text{ V}$	15 V	-4.2	-	-3.4	-	-2.4	-	-2.4	-	mA
$I_{OL}$	LOW-level output current	$V_O = 0.4\text{ V}$	5 V	0.64	-	0.5	-	0.36	-	0.36	-	mA
		$V_O = 0.5\text{ V}$	10 V	1.6	-	1.3	-	0.9	-	0.9	-	mA
		$V_O = 1.5\text{ V}$	15 V	4.2	-	3.4	-	2.4	-	2.4	-	mA
$I_I$	input leakage current		15 V	-	$\pm 0.1$	-	$\pm 0.1$	-	$\pm 1.0$	-	$\pm 1.0$	$\mu\text{A}$
$I_{DD}$	supply current	$I_O = 0\text{ A}$	5 V	-	1.0	-	1.0	-	30	-	30	$\mu\text{A}$
			10 V	-	2.0	-	2.0	-	60	-	60	$\mu\text{A}$
			15 V	-	4.0	-	4.0	-	120	-	120	$\mu\text{A}$
$C_I$	input capacitance		-	-	-	-	7.5	-	-	-	pF	

## 11. Dynamic characteristics

**Table 7. Dynamic characteristics**

$V_{SS} = 0\text{ V}$ ;  $T_{amb} = 25\text{ }^\circ\text{C}$ ; for test circuit see [Figure 7](#); unless otherwise specified.

Symbol	Parameter	Conditions	$V_{DD}$	Extrapolation formula <sup>[1]</sup>	Min	Typ	Max	Unit
$t_{PHL}$	HIGH to LOW propagation delay	CP $\rightarrow$ Q, $\bar{Q}$ ; see <a href="#">Figure 4</a>	5 V	$78\text{ ns} + (0.55\text{ ns/pF})C_L$	-	105	210	ns
			10 V	$29\text{ ns} + (0.23\text{ ns/pF})C_L$	-	40	80	ns
			15 V	$22\text{ ns} + (0.16\text{ ns/pF})C_L$	-	30	60	ns
		CD $\rightarrow$ Q; see <a href="#">Figure 4</a>	5 V	$93\text{ ns} + (0.55\text{ ns/pF})C_L$	-	120	240	ns
			10 V	$33\text{ ns} + (0.23\text{ ns/pF})C_L$	-	45	90	ns
			15 V	$27\text{ ns} + (0.16\text{ ns/pF})C_L$	-	35	70	ns
		SD $\rightarrow$ $\bar{Q}$ ; see <a href="#">Figure 4</a>	5 V	$113\text{ ns} + (0.55\text{ ns/pF})C_L$	-	140	280	ns
			10 V	$44\text{ ns} + (0.23\text{ ns/pF})C_L$	-	55	110	ns
			15 V	$32\text{ ns} + (0.16\text{ ns/pF})C_L$	-	40	80	ns
$t_{PLH}$	LOW to HIGH propagation delay	CP $\rightarrow$ Q, $\bar{Q}$ ; see <a href="#">Figure 4</a>	5 V	$58\text{ ns} + (0.55\text{ ns/pF})C_L$	-	85	170	ns
			10 V	$27\text{ ns} + (0.23\text{ ns/pF})C_L$	-	35	70	ns
			15 V	$22\text{ ns} + (0.16\text{ ns/pF})C_L$	-	30	60	ns
		CD $\rightarrow$ $\bar{Q}$ ; see <a href="#">Figure 4</a>	5 V	$48\text{ ns} + (0.55\text{ ns/pF})C_L$	-	75	150	ns
			10 V	$24\text{ ns} + (0.23\text{ ns/pF})C_L$	-	35	70	ns
			15 V	$17\text{ ns} + (0.16\text{ ns/pF})C_L$	-	25	50	ns
		SD $\rightarrow$ Q; see <a href="#">Figure 4</a>	5 V	$43\text{ ns} + (0.55\text{ ns/pF})C_L$	-	70	140	ns
			10 V	$19\text{ ns} + (0.23\text{ ns/pF})C_L$	-	30	60	ns
			15 V	$17\text{ ns} + (0.16\text{ ns/pF})C_L$	-	25	50	ns
$t_t$	transition time	see <a href="#">Figure 4</a>	5 V	<sup>[2]</sup> $10\text{ ns} + (1.00\text{ ns/pF})C_L$	-	60	120	ns
			10 V	$9\text{ ns} + (0.42\text{ ns/pF})C_L$	-	30	60	ns
			15 V	$6\text{ ns} + (0.28\text{ ns/pF})C_L$	-	20	40	ns
$t_{su}$	set-up time	J, K $\rightarrow$ CP; see <a href="#">Figure 5</a>	5 V		50	25	-	ns
			10 V		30	10	-	ns
			15 V		20	5	-	ns
$t_h$	hold time	J, K $\rightarrow$ CP; see <a href="#">Figure 5</a>	5 V		25	0	-	ns
			10 V		20	0	-	ns
			15 V		15	5	-	ns
$t_w$	pulse width	CP LOW; minimum width see <a href="#">Figure 5</a>	5 V		80	40	-	ns
			10 V		30	15	-	ns
			15 V		24	12	-	ns
		SD, CD HIGH; minimum width see <a href="#">Figure 6</a>	5 V		90	45	-	ns
			10 V		40	20	-	ns
			15 V		30	15	-	ns
$t_{rec}$	recovery time	SD, CD inputs; see <a href="#">Figure 6</a>	5 V		+20	-15	-	ns
			10 V		15	-10	-	ns
			15 V		10	-5	-	ns

**Table 7. Dynamic characteristics ...continued**  
 $V_{SS} = 0\text{ V}$ ;  $T_{amb} = 25\text{ }^\circ\text{C}$ ; for test circuit see [Figure 7](#); unless otherwise specified.

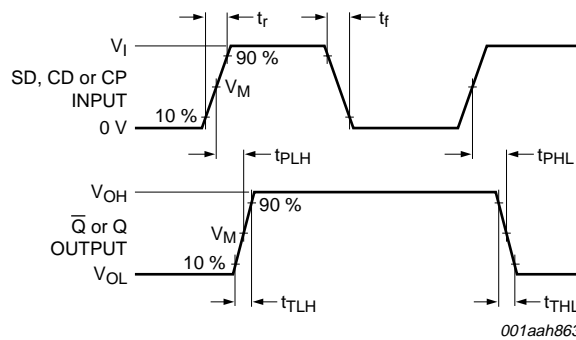
Symbol	Parameter	Conditions	$V_{DD}$	Extrapolation formula <sup>[1]</sup>	Min	Typ	Max	Unit
$f_{max}$	maximum frequency	CP input;	5 V		4	8	-	MHz
		J = K = HIGH;	10 V		12	25	-	MHz
		see <a href="#">Figure 5</a>	15 V		15	30	-	MHz

- [1] The typical values of the propagation delay and transition times are calculated from the extrapolation formulas shown ( $C_L$  in pF).
- [2]  $t_t$  is the same as  $t_{TLH}$  and  $t_{THL}$ .

**Table 8. Dynamic power dissipation  $P_D$**   
 $P_D$  can be calculated from the formulas shown.  $V_{SS} = 0\text{ V}$ ;  $t_r = t_f \leq 20\text{ ns}$ ;  $T_{amb} = 25\text{ }^\circ\text{C}$ .

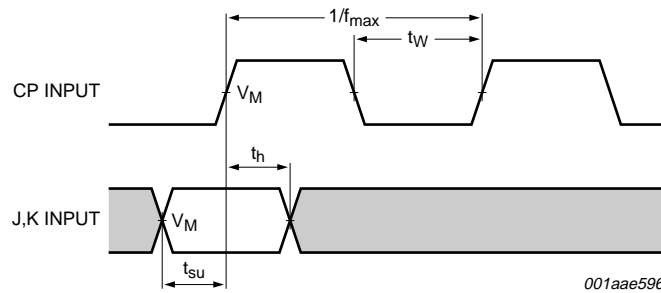
Symbol	Parameter	$V_{DD}$	Typical formula for $P_D$ ( $\mu\text{W}$ )	Where:
$P_D$	dynamic power dissipation	5 V	$P_D = 900 \times f_i + \Sigma(f_o \times C_L) \times V_{DD}^2$	$f_i$ = input frequency in MHz;
		10 V	$P_D = 4500 \times f_i + \Sigma(f_o \times C_L) \times V_{DD}^2$	$f_o$ = output frequency in MHz;
		15 V	$P_D = 13200 \times f_i + \Sigma(f_o \times C_L) \times V_{DD}^2$	$C_L$ = output load capacitance in pF;
				$V_{DD}$ = supply voltage in V;
				$\Sigma(C_L \times f_o)$ = sum of the outputs.

## 12. Waveforms



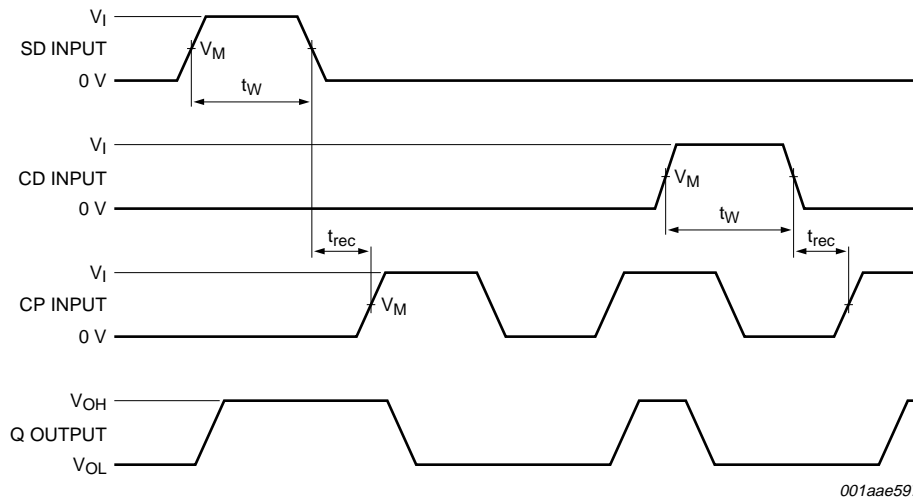
$V_{OH}$  and  $V_{OL}$  are typical output voltages levels that occur with the output load.  
 Measurement points are given in [Table 9](#).

**Fig 4. Waveforms showing rise, fall and transition times and propagation delays**



Measurement points are given in [Table 9](#).

**Fig 5. Waveforms showing set-up and hold times and minimum clock pulse width**

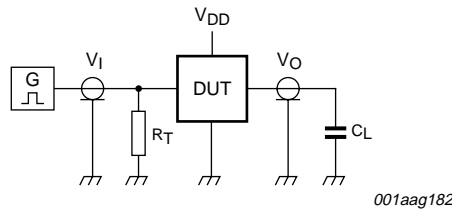


$V_{OH}$  and  $V_{OL}$  are typical output voltages levels that occur with the output load.  
Measurement points are given in [Table 9](#).

**Fig 6. Waveforms showing pulse widths and recovery times**

**Table 9. Measurement points**

Supply voltage	Input	Output
$V_{DD}$	$V_M$	$V_M$
5 V to 15 V	$0.5V_{DD}$	$0.5V_{DD}$



Test data is given in [Table 10](#).

Definitions for test circuit:

DUT = Device Under Test.

$C_L$  = load capacitance including jig and probe capacitance.

$R_T$  = termination resistance should be equal to the output impedance  $Z_o$  of the pulse generator.

**Fig 7. Test circuit**

**Table 10. Test data**

Supply voltage	Input	Load
$V_{DD}$	$V_I$	$C_L$
5 V to 15 V	$V_{SS}$ or $V_{DD}$	50 pF
		$t_r, t_f$
		$\leq 20$ ns



13. Package outline

DIP16: plastic dual in-line package; 16 leads (300 mil)

SOT38-4

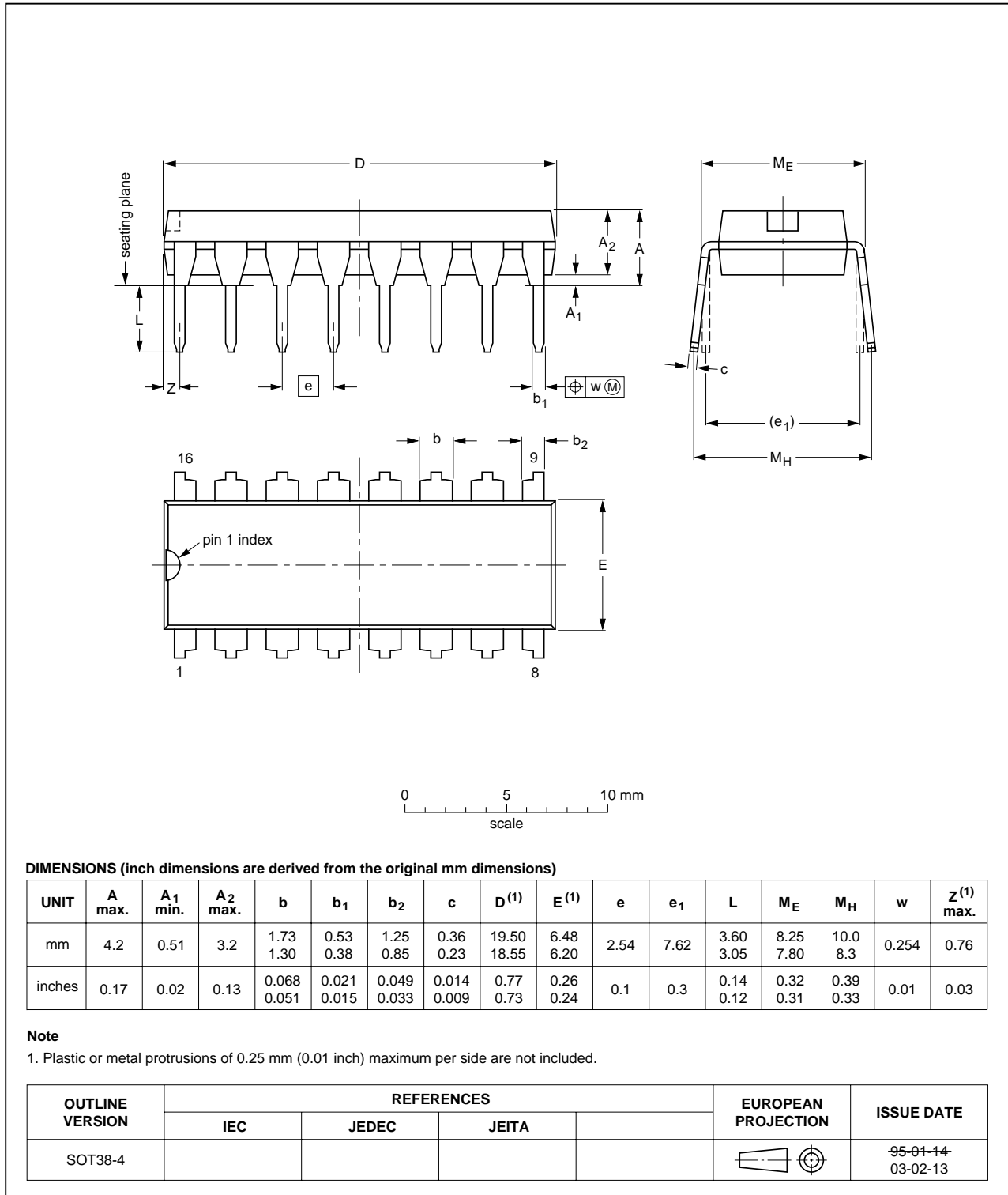


Fig 8. Package outline SOT38-4 (DIP16)

SO16: plastic small outline package; 16 leads; body width 3.9 mm

SOT109-1

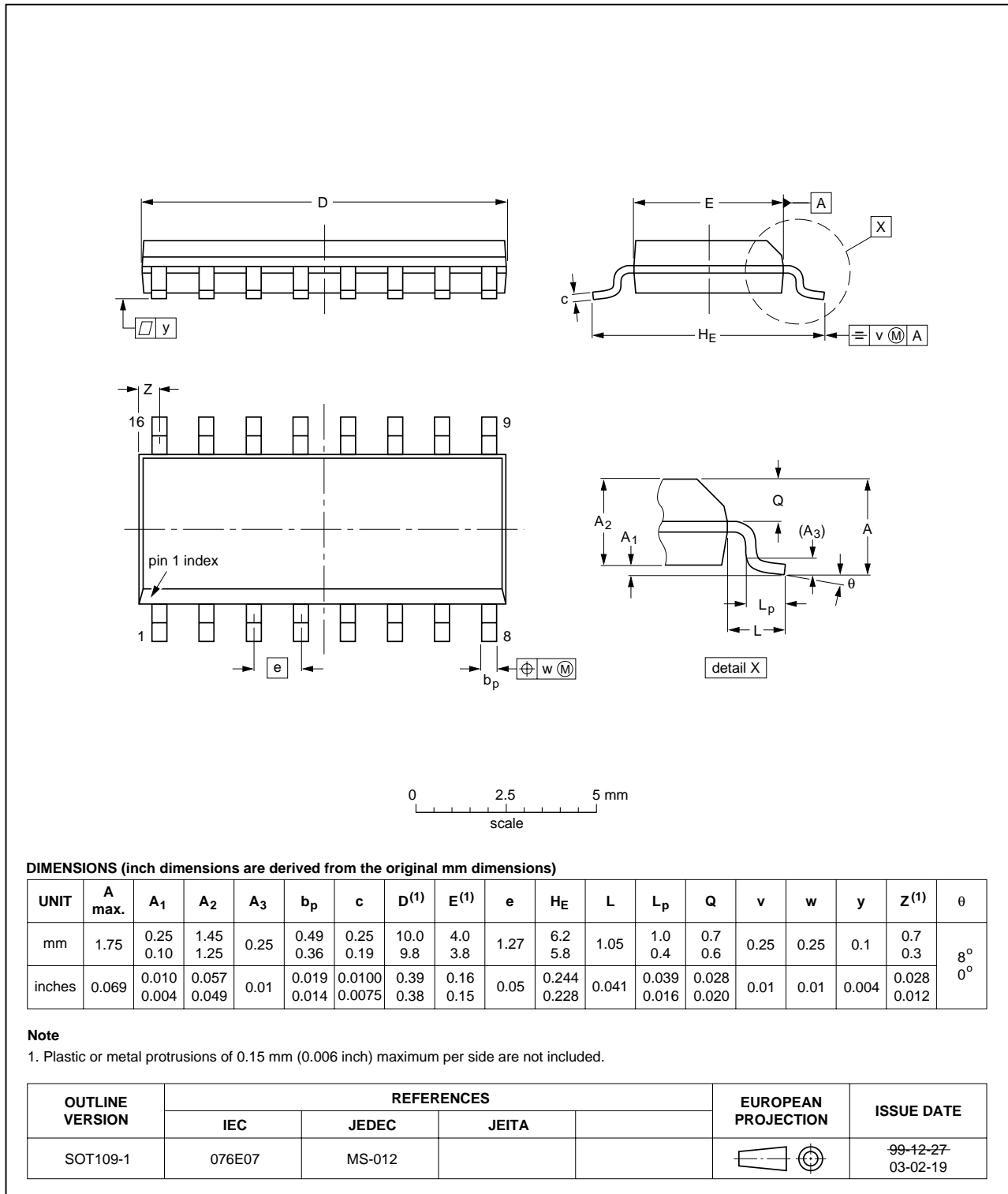


Fig 9. Package outline SOT109-1 (SO16)

## 14. Abbreviations

Table 11. Abbreviations

Acronym	Description
DUT	Device Under Test
ESD	ElectroStatic Discharge
HBM	Human Body Model
MM	Machine Model

## 15. Revision history

Table 12. Revision history

Document ID	Release date	Data sheet status	Change notice	Supersedes
HEF4027B_4	20080703	Product data sheet	-	HEF4027B_CNV_3
Modifications:	<ul style="list-style-type: none"> <li>• The format of this data sheet has been redesigned to comply with the new identity guidelines of NXP Semiconductors.</li> <li>• Legal texts have been adapted to the new company name where appropriate.</li> <li>• Temperature range statement added to <a href="#">Section 1 “General description”</a>.</li> <li>• <a href="#">Section 2 “Features”</a> added.</li> <li>• Package version SOT38-1 changed to SOT38-4 in <a href="#">Section 4</a>, and <a href="#">13</a>. Package SOT74 removed from <a href="#">Section 4</a> and <a href="#">13</a>.</li> <li>• <a href="#">Table 1 “Ordering information”</a> restructured.</li> <li>• Pins renamed throughout.</li> <li>• In <a href="#">Figure 2 “Logic diagram of one flip-flop”</a> CP input moved.</li> <li>• <a href="#">Table 2 “Pin description”</a> restructured.</li> <li>• <a href="#">Section 9 “Recommended operating conditions”</a> added.</li> <li>• <a href="#">Section 8 “Limiting values”</a> and <a href="#">Section 10 “Static characteristics”</a> added, taken from the HE4000B Family Specifications data sheet.</li> <li>• <a href="#">Section 10 “Static characteristics”</a> <math>I_{DD}</math>, <math>I_{OL}</math>, <math>I_{OH}</math> and <math>I_I</math> values updated.</li> <li>• <math>t_{THL}</math>, <math>t_{TLH}</math>, <math>t_{hold}</math>, <math>t_{WCPL}</math>, <math>t_{WSDH}</math>, <math>t_{WCDH}</math>, <math>t_{RSD}</math> and <math>t_{RCD}</math> renamed to <math>t_t</math>, <math>t_h</math>, <math>t_W</math> and <math>t_{rec}</math> in <a href="#">Table 7 “Dynamic characteristics”</a> and <a href="#">Section 12 “Waveforms”</a></li> <li>• <a href="#">Table 9 “Measurement points”</a>, <a href="#">Figure 7 “Test circuit”</a> and <a href="#">Table 10 “Test data”</a> added.</li> </ul>			
HEF4027B_CNV_3	19950101	Product specification	-	HEF4027B_CNV_2
HEF4027B_CNV_2	19950101	Product specification	-	-

## 16. Legal information

### 16.1 Data sheet status

Document status <sup>[1][2]</sup>	Product status <sup>[3]</sup>	Definition
Objective [short] data sheet	Development	This document contains data from the objective specification for product development.
Preliminary [short] data sheet	Qualification	This document contains data from the preliminary specification.
Product [short] data sheet	Production	This document contains the product specification.

[1] Please consult the most recently issued document before initiating or completing a design.

[2] The term 'short data sheet' is explained in section "Definitions".

[3] The product status of device(s) described in this document may have changed since this document was published and may differ in case of multiple devices. The latest product status information is available on the Internet at URL <http://www.nxp.com>.

### 16.2 Definitions

**Draft** — The document is a draft version only. The content is still under internal review and subject to formal approval, which may result in modifications or additions. NXP Semiconductors does not give any representations or warranties as to the accuracy or completeness of information included herein and shall have no liability for the consequences of use of such information.

**Short data sheet** — A short data sheet is an extract from a full data sheet with the same product type number(s) and title. A short data sheet is intended for quick reference only and should not be relied upon to contain detailed and full information. For detailed and full information see the relevant full data sheet, which is available on request via the local NXP Semiconductors sales office. In case of any inconsistency or conflict with the short data sheet, the full data sheet shall prevail.

### 16.3 Disclaimers

**General** — Information in this document is believed to be accurate and reliable. However, NXP Semiconductors does not give any representations or warranties, expressed or implied, as to the accuracy or completeness of such information and shall have no liability for the consequences of use of such information.

**Right to make changes** — NXP Semiconductors reserves the right to make changes to information published in this document, including without limitation specifications and product descriptions, at any time and without notice. This document supersedes and replaces all information supplied prior to the publication hereof.

**Suitability for use** — NXP Semiconductors products are not designed, authorized or warranted to be suitable for use in medical, military, aircraft, space or life support equipment, nor in applications where failure or

malfunction of an NXP Semiconductors product can reasonably be expected to result in personal injury, death or severe property or environmental damage. NXP Semiconductors accepts no liability for inclusion and/or use of NXP Semiconductors products in such equipment or applications and therefore such inclusion and/or use is at the customer's own risk.

**Applications** — Applications that are described herein for any of these products are for illustrative purposes only. NXP Semiconductors makes no representation or warranty that such applications will be suitable for the specified use without further testing or modification.

**Limiting values** — Stress above one or more limiting values (as defined in the Absolute Maximum Ratings System of IEC 60134) may cause permanent damage to the device. Limiting values are stress ratings only and operation of the device at these or any other conditions above those given in the Characteristics sections of this document is not implied. Exposure to limiting values for extended periods may affect device reliability.

**Terms and conditions of sale** — NXP Semiconductors products are sold subject to the general terms and conditions of commercial sale, as published at <http://www.nxp.com/profile/terms>, including those pertaining to warranty, intellectual property rights infringement and limitation of liability, unless explicitly otherwise agreed to in writing by NXP Semiconductors. In case of any inconsistency or conflict between information in this document and such terms and conditions, the latter will prevail.

**No offer to sell or license** — Nothing in this document may be interpreted or construed as an offer to sell products that is open for acceptance or the grant, conveyance or implication of any license under any copyrights, patents or other industrial or intellectual property rights.

### 16.4 Trademarks

Notice: All referenced brands, product names, service names and trademarks are the property of their respective owners.

## 17. Contact information

For more information, please visit: <http://www.nxp.com>

For sales office addresses, please send an email to: [salesaddresses@nxp.com](mailto:salesaddresses@nxp.com)

**18. Contents**

1 **General description** ..... 1

2 **Features** ..... 1

3 **Applications** ..... 1

4 **Ordering information** ..... 1

5 **Functional diagram** ..... 2

6 **Pinning information** ..... 3

6.1 Pinning ..... 3

6.2 Pin description ..... 3

7 **Functional description** ..... 3

8 **Limiting values** ..... 4

9 **Recommended operating conditions** ..... 4

10 **Static characteristics** ..... 5

11 **Dynamic characteristics** ..... 6

12 **Waveforms** ..... 7

13 **Package outline** ..... 9

14 **Abbreviations** ..... 11

15 **Revision history** ..... 11

16 **Legal information** ..... 12

16.1 Data sheet status ..... 12

16.2 Definitions ..... 12

16.3 Disclaimers ..... 12

16.4 Trademarks ..... 12

17 **Contact information** ..... 12

18 **Contents** ..... 13

Please be aware that important notices concerning this document and the product(s) described herein, have been included in section 'Legal information'.



© NXP B.V. 2008.

All rights reserved.

For more information, please visit: <http://www.nxp.com>

For sales office addresses, please send an email to: [salesaddresses@nxp.com](mailto:salesaddresses@nxp.com)

Date of release: 3 July 2008

Document identifier: HEF4027B\_4