

DATA SHEET

For a complete data sheet, please also download:

- The IC04 LOCMOS HE4000B Logic Family Specifications HEF, HEC
- The IC04 LOCMOS HE4000B Logic Package Outlines/Information HEF, HEC

HEF4093B

gates

Quadruple 2-input NAND Schmitt trigger

Product specification
File under Integrated Circuits, IC04

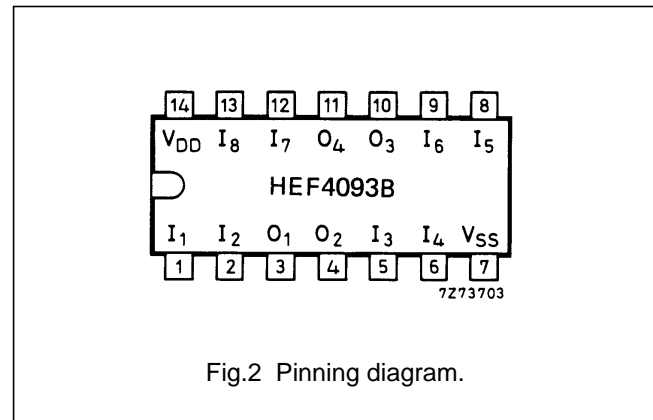
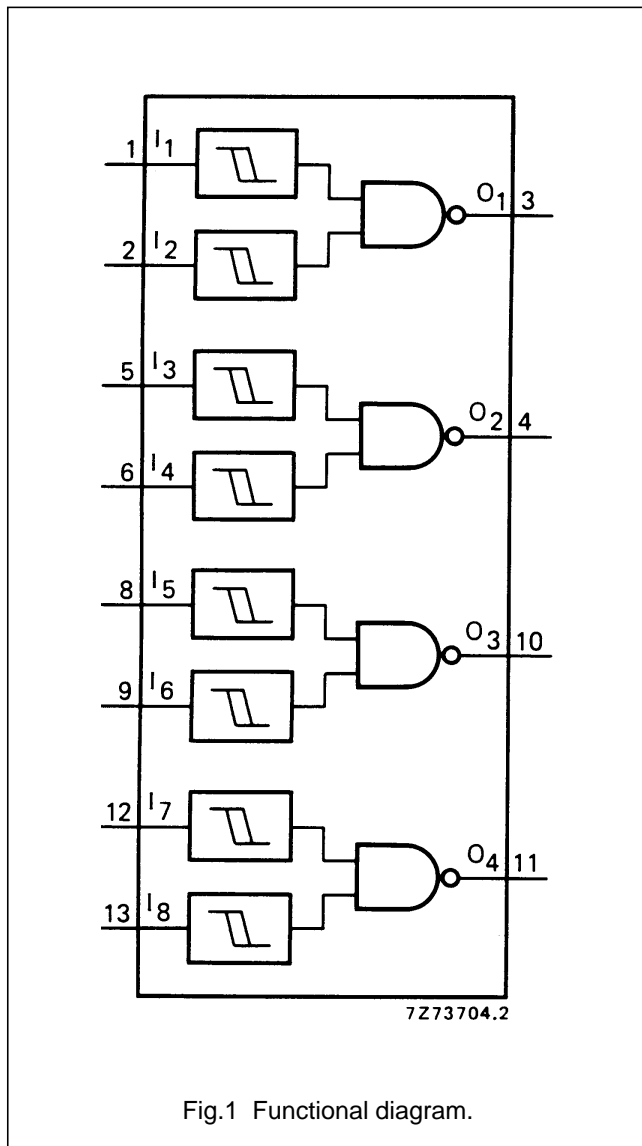
January 1995

Quadruple 2-input NAND Schmitt trigger

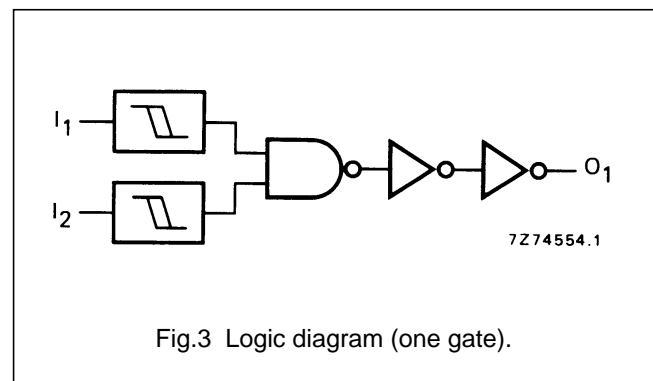
HEF4093B gates

DESCRIPTION

The HEF4093B consists of four Schmitt-trigger circuits. Each circuit functions as a two-input NAND gate with Schmitt-trigger action on both inputs. The gate switches at different points for positive and negative-going signals. The difference between the positive voltage (V_P) and the negative voltage (V_N) is defined as hysteresis voltage (V_H).



- HEF4093BP(N): 14-lead DIL; plastic (SOT27-1)
- HEF4093BD(F): 14-lead DIL; ceramic (cerdip) (SOT73)
- HEF4093BT(D): 14-lead SO; plastic (SOT108-1)
- (): Package Designator North America



FAMILY DATA, I_{DD} LIMITS category GATES

See Family Specifications

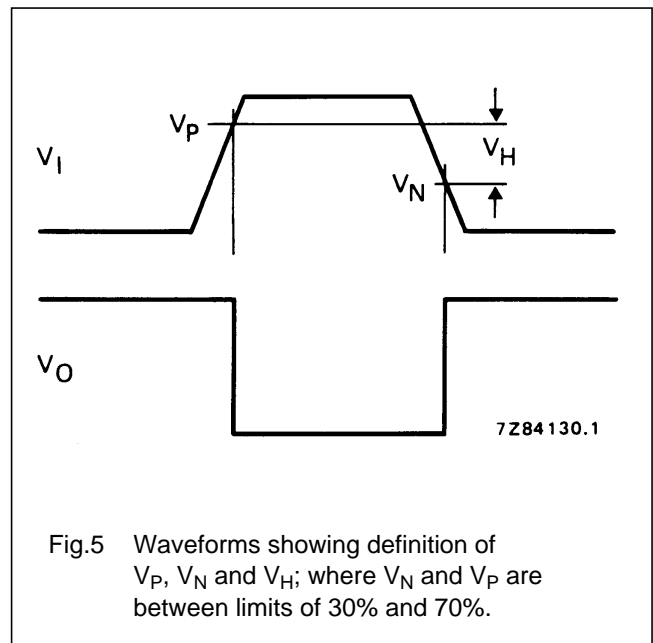
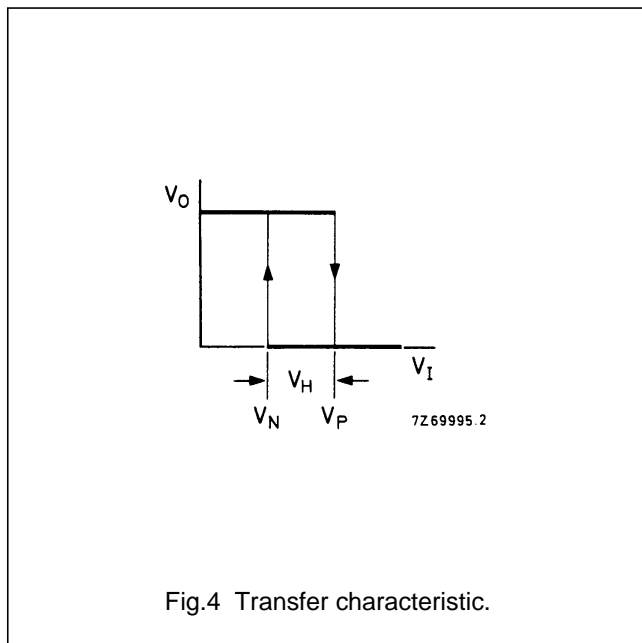
Quadruple 2-input NAND Schmitt trigger

HEF4093B
gates

DC CHARACTERISTICS

$V_{SS} = 0\text{ V}$; $T_{amb} = 25\text{ }^\circ\text{C}$

	V_{DD} V	SYMBOL	MIN.	TYP.	MAX.
Hysteresis voltage	5	V_H	0,4	0,7	–
	10		0,6	1,0	–
	15		0,7	1,3	–
Switching levels positive-going input voltage	5	V_P	1,9	2,9	3,5
	10		3,6	5,2	7
	15		4,7	7,3	11
Switching levels negative-going input voltage	5	V_N	1,5	2,2	3,1
	10		3	4,2	6,4
	15		4	6,0	10,3



Quadruple 2-input NAND Schmitt trigger

HEF4093B
gates

AC CHARACTERISTICS

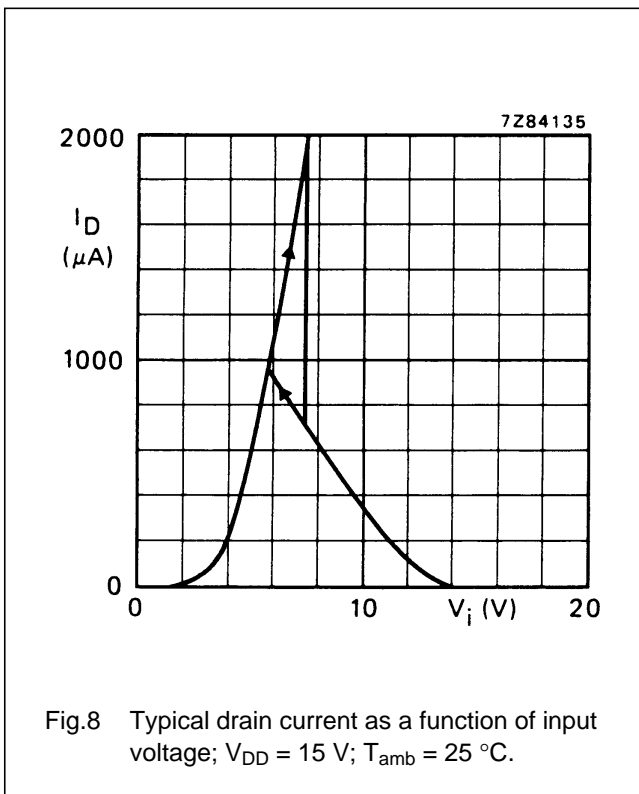
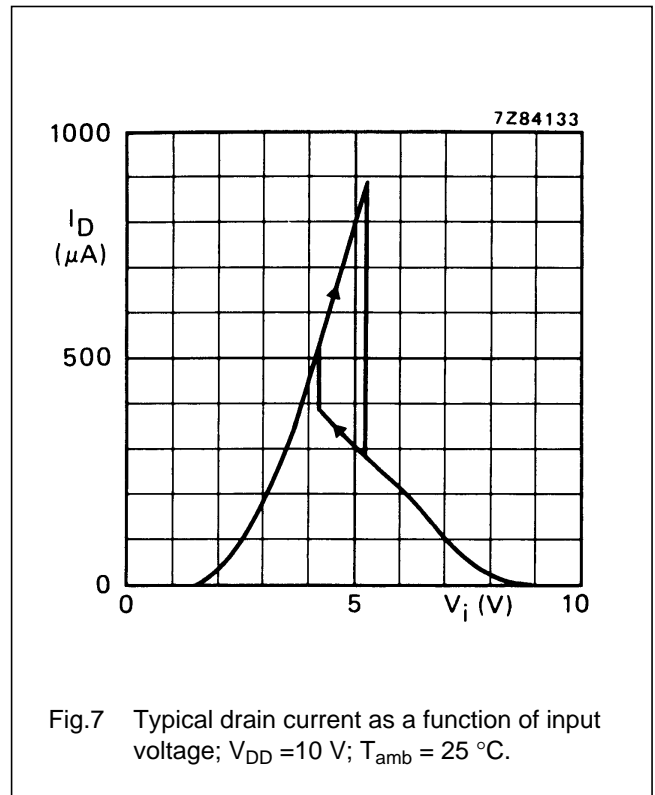
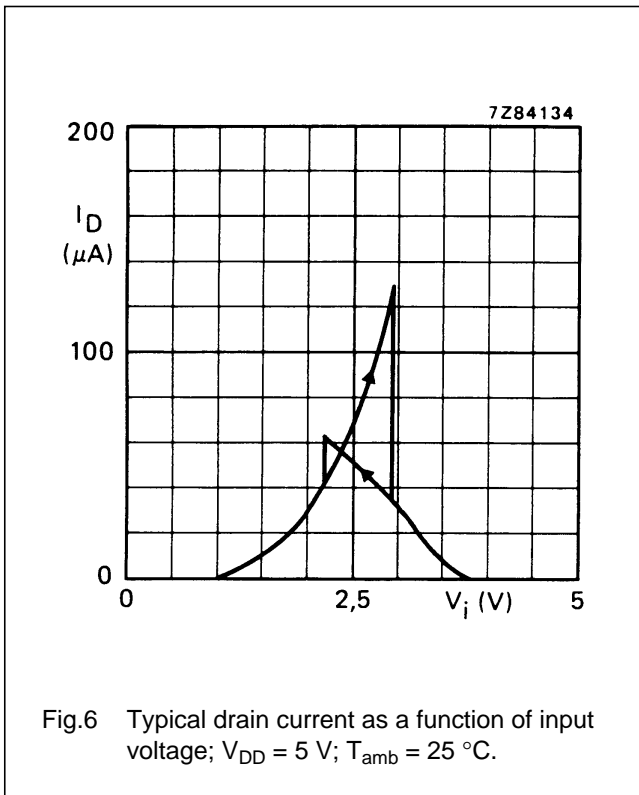
$V_{SS} = 0\text{ V}$; $T_{amb} = 25\text{ }^\circ\text{C}$; $C_L = 50\text{ pF}$; input transition times $\leq 20\text{ ns}$

	V_{DD} V	SYMBOL	TYP.	MAX.	TYPICAL EXTRAPOLATION FORMULA
Propagation delays $I_n \rightarrow O_n$ HIGH to LOW LOW to HIGH	5	t_{PHL}	90	185 ns	$63\text{ ns} + (0,55\text{ ns/pF}) C_L$
	10		40	80 ns	$29\text{ ns} + (0,23\text{ ns/pF}) C_L$
	15		30	60 ns	$22\text{ ns} + (0,16\text{ ns/pF}) C_L$
	5	t_{PLH}	85	170 ns	$58\text{ ns} + (0,55\text{ ns/pF}) C_L$
	10		40	80 ns	$29\text{ ns} + (0,23\text{ ns/pF}) C_L$
	15		30	60 ns	$22\text{ ns} + (0,16\text{ ns/pF}) C_L$
Output transition times HIGH to LOW LOW to HIGH	5	t_{THL}	60	120 ns	$10\text{ ns} + (1,0\text{ ns/pF}) C_L$
	10		30	60 ns	$9\text{ ns} + (0,42\text{ ns/pF}) C_L$
	15		20	40 ns	$6\text{ ns} + (0,28\text{ ns/pF}) C_L$
	5	t_{TLH}	60	120 ns	$10\text{ ns} + (1,0\text{ ns/pF}) C_L$
	10		30	60 ns	$9\text{ ns} + (0,42\text{ ns/pF}) C_L$
	15		20	40 ns	$6\text{ ns} + (0,28\text{ ns/pF}) C_L$

	V_{DD} V	TYPICAL FORMULA FOR P (μW)	
Dynamic power dissipation per package (P)	5	$1300 f_i + \sum(f_o C_L) \times V_{DD}^2$	where f_i = input freq. (MHz) f_o = output freq. (MHz) C_L = load capacitance (pF) $\sum(f_o C_L)$ = sum of outputs V_{DD} = supply voltage (V)
	10	$6400 f_i + \sum(f_o C_L) \times V_{DD}^2$	
	15	$18\ 700 f_i + \sum(f_o C_L) \times V_{DD}^2$	

Quadruple 2-input NAND Schmitt trigger

HEF4093B
gates



Quadruple 2-input NAND Schmitt trigger

HEF4093B
gates

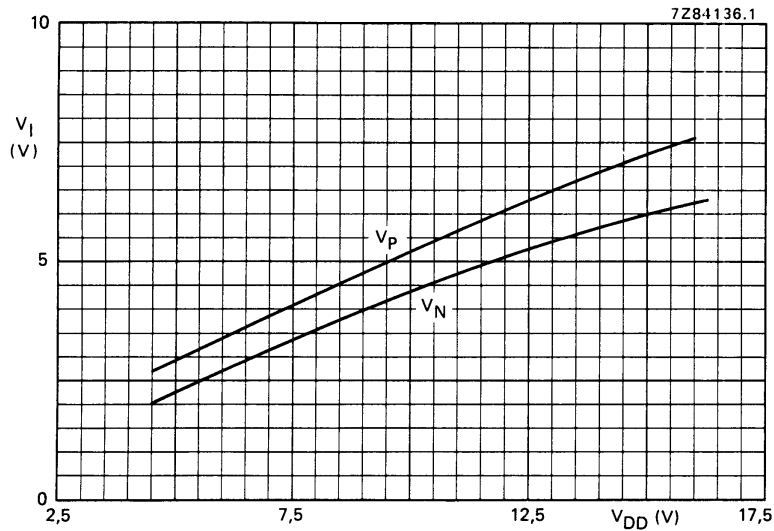


Fig.9 Typical switching levels as a function of supply voltage V_{DD} ; $T_{amb} = 25\text{ }^\circ\text{C}$.

APPLICATION INFORMATION

Some examples of applications for the HEF4093B are:

- Wave and pulse shapers
- Astable multivibrators
- Monostable multivibrators.

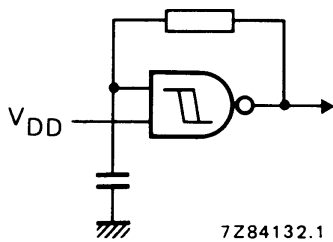


Fig.10 The HEF4093B used as a astable multivibrator.

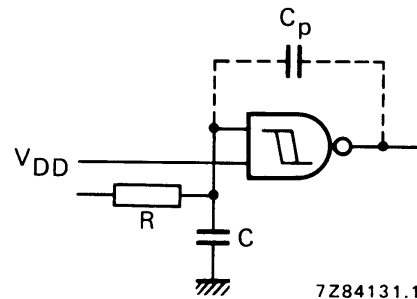


Fig.11 Schmitt trigger driven via a high impedance ($R > 1\text{ k}\Omega$).

If a Schmitt trigger is driven via a high impedance ($R > 1\text{ k}\Omega$) then it is necessary to incorporate a capacitor C of such value that:

$$\frac{C}{C_p} > \frac{V_{DD} - V_{SS}}{V_H}, \text{ otherwise oscillation can occur on the edges of a pulse.}$$

C_p is the external parasitic capacitance between inputs and output; the value depends on the circuit board layout.

Note

The two inputs may be connected together, but this will result in a larger through-current at the moment of switching.