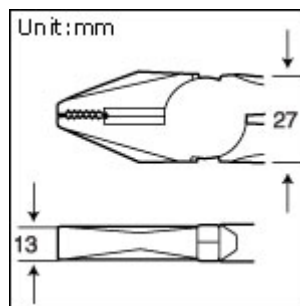


1PK-051AS, Combination Plier (200mm)

· OAL: 200



Material	HRC	Application	Individual packing
S60C	48±3	Hard steel: 1.2mm soft steel: 2.2mm Copper: 3.0mm	Blister card